



982

Wheel Loader

Technical Specifications

Not all attachments available in all regions. Consult your Cat® dealer for specific configurations available in your region.

Table of Contents

Specifications	2
Engine	2
Buckets	2
Weight	2
Operating Specifications	2
Transmission	2
Hydraulic System	3
Brakes	3
Axles	3
Service Refill Capacities	3
Cab	3
Sound	3
Air Conditioning System	3
Dimensions	4
Tire Options	5
Bucket Fill Factors and Selection Guide	6
Operating Specifications – Buckets	9
Fork Specifications	23
Standard and Optional Equipment	32
982 Environmental Declaration	34
982 Forestry Machine Configuration	35
Key Features and Benefits	35
Tire Options	37
Operating Specifications – Buckets	38

982 Wheel Loader Specifications

Engine

Engine Model	Cat® C13	
Engine Power @ 1,700 rpm	322 kW	432 hp
ISO 14396:2002	438 hp (metric)	
Gross Power @ 1,700 rpm	325 kW	436 hp
SAE J1995:2014	442 hp (metric)	
Net Power @ 1,700 rpm	301 kW	404 hp
ISO 9249:2007, SAE J1349:2011	409 hp (metric)	
Engine Torque (1,200 rpm)	2197 N·m	1,620 lbf·ft
ISO 14396:2002		
Gross Torque (1,200 rpm)	2218 N·m	1,636 lbf·ft
SAE J1995:2014		
Net Torque (1,100 rpm)	2054 N·m	1,515 lbf·ft
ISO 9249:2007, SAE J1349:2011		
Bore	130 mm	5.12 in
Stroke	157 mm	6.18 in
Displacement	12.5 L	763 in ³

- Cat engine meets U.S. EPA Tier 4 Final, EU Stage V, Korea Stage V, China Nonroad Stage IV and Japan 2014 emission standards.
- The net power advertised is the power available at the flywheel when the engine is equipped with fan, alternator, air cleaner and aftertreatment.
- Cat diesel engines are required to use ULSD (ultra-low sulfur diesel fuel with 15 ppm of sulfur or less) or ULSD blended with the following lower-carbon intensity fuels** up to:
 - 20% biodiesel FAME (fatty acid methyl ester)*
 - 100% renewable diesel, HVO (hydrotreated vegetable oil) and GTL (gas-to-liquid) fuels
 Refer to guidelines for successful application. Please consult your Cat dealer or “Caterpillar Machine Fluids Recommendations” (SEBU6250) for details.
- * Engines with no aftertreatment devices can use higher blends, up to 100% biodiesel.
- ** Tailpipe greenhouse gas emissions from lower-carbon intensity fuels are essentially the same as traditional fuels.

Buckets

Bucket Capacities	4.8-17.2 m ³	6.25-22.5 yd ³
-------------------	-------------------------	---------------------------

Weight

Operating Weight	35 510 kg	78,264 lb
------------------	-----------	-----------

- Weight based on a machine configuration with Bridgestone 875/65R29 VLTS L4 radial tires, full fluids, operator, standard counterweight, ride control, cold start, roading fenders, Product Link™, open differential axles (front/rear), secondary steering, sound suppression, and a 6.1 m³ (8.0 yd³) general purpose bucket with BOCE.

Operating Specifications

Static Tipping Load – Full 40° Turn		
With Tire Deflection	21 110 kg	46,526 lb
No Tire Deflection	22 418 kg	49,410 lb
Breakout Force	262 kN	59,060 lbf

- For a machine configuration as defined under “Weight.”
- Full compliance to ISO 14397-1:2007 Sections 1 thru 6, which requires 2% verification between calculations and testing.

Transmission

Forward 1	6.2 km/h	3.9 mph
Forward 2	11.9 km/h	7.4 mph
Forward 3	21.1 km/h	13.1 mph
Forward 4	37.5 km/h	23.3 mph
Reverse 1	7.0 km/h	4.3 mph
Reverse 2	13.6 km/h	8.5 mph
Reverse 3	24.1 km/h	15 mph
Reverse 4	39.5 km/h	24.5 mph

- Maximum travel speed in standard vehicle with empty bucket and standard L4 tires with 914 mm (36 in) roll radius.

982 Wheel Loader Specifications

Hydraulic System

Implement Pump Type	Variable Displacement Piston, load sensing	
Implement System		
Maximum Pump Output (2,250 rpm)	449 L/min	119 gal/min
Maximum Operating Pressure	34 300 kPa	4,975 psi
Optional 3 rd Function Maximum Flow	240 L/min	63 gal/min
Optional 3 rd Function Maximum Pressure at Work Tool	20 684 kPa	3,000 psi
Hydraulic Cycle Time with Rated Payload:		
Raise from Carry Position	5.3 sec	
Dump, at Maximum Raise	1.7 sec	
Lower, Empty, Float Down	3.1 sec	
Total	10.1 sec	

Brakes

Brakes	Brakes meet ISO 3450:2011 standards
--------	-------------------------------------

Axles

Front	Fixed, open differential
Rear	Oscillating, open differential

Service Refill Capacities

Fuel Tank	426 L	112.5 gal
DEF Tank	21 L	5.5 gal
Cooling System	52 L	13.7 gal
Crankcase	37 L	9.8 gal
Transmission	77 L	20.3 gal
Differentials and Final Drives – Front	92 L	24.3 gal
Differentials and Final Drives – Rear	92 L	24.3 gal
Hydraulic Tank	153 L	40.4 gal

Cab

ROPS/FOPS	ROPS/FOPS meet ISO 3471:2008 and ISO 3449:2005 Level II standards
-----------	---

Sound Performance

Operator Sound Pressure Level (ISO 6396:2008)	72 dB(A)
Exterior Sound Power Level (ISO 6395:2008)	112 dB(A)
Operator Sound Pressure Level (ISO 6396:2008)*	72 dB(A)
Exterior Sound Power Level (ISO 6395:2008)**	109 dB(A)

*Including countries that adopt the EU and UK Directives

**EU Noise Directive 2000/14/EC and UK Noise Regulation 2001 No. 1701

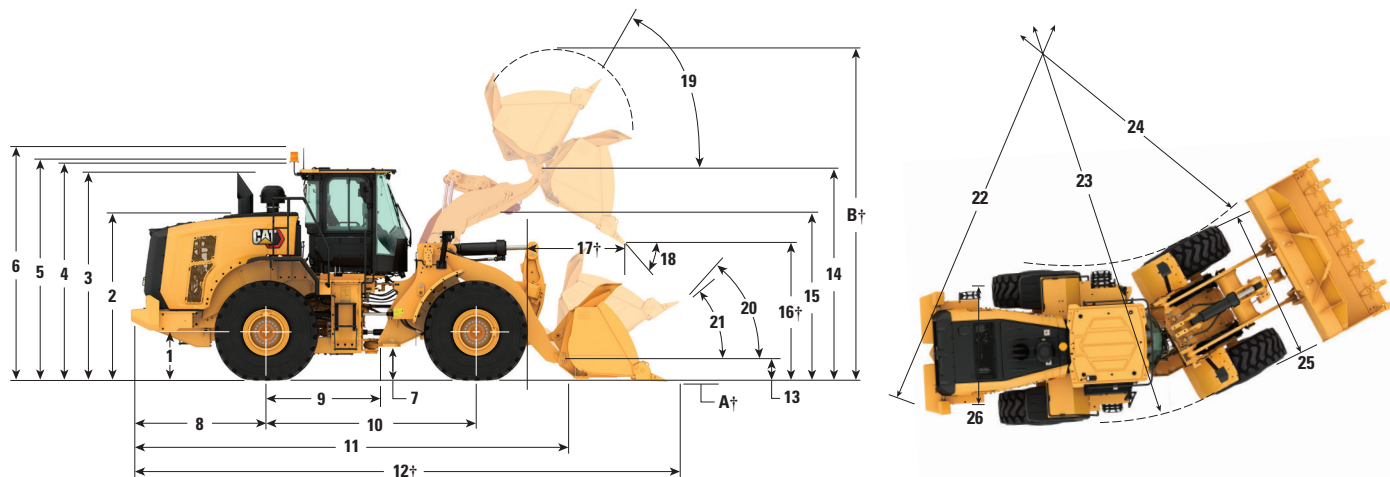
Air Conditioning System

- The air conditioning system on this machine contains the fluorinated greenhouse gas refrigerant R134a (Global Warming Potential = 1430). The system contains 1.6 kg (3.5 lb) of refrigerant which has a CO₂ equivalent of 2.288 metric tonnes (2.522 tons).

982 Wheel Loader Specifications

Dimensions

All dimensions are approximate.



	Standard Lift		High Lift	
1 Height to Axle Centerline	871 mm	2'10"	871 mm	2'10"
2 Height to Top of Hood	3036 mm	10'0"	3036 mm	10'0"
3 Height to Top of Exhaust Pipe	3736 mm	12'4"	3736 mm	12'4"
4 Height to Top of ROPS	3801 mm	12'6"	3801 mm	12'6"
5 Height to Top of Product Link Antenna	3807 mm	12'6"	3807 mm	12'6"
6 Height to Top of Warning Beacon	4080 mm	13'5"	4080 mm	13'5"
7 Ground Clearance	428 mm	1'4"	428 mm	1'4"
8 Center Line of Rear Axle to Edge of Counterweight	2729 mm	9'0"	2843 mm	9'4"
9 Center Line of Rear Axle to Hitch	1900 mm	6'3"	1900 mm	6'3"
10 Wheelbase	3800 mm	12'6"	3800 mm	12'6"
11 Overall Length (without bucket)	8597 mm	28'3"	9104 mm	29'11"
12 Shipping Length (with bucket level on ground)*†	10 184 mm	33'5"	10 692 mm	35'1"
13 Hinge Pin Height at Carry Height	791 mm	2'7"	896 mm	2'11"
14 Hinge Pin Height at Maximum Lift	4741 mm	15'6"	5150 mm	16'10"
15 Lift Arm Clearance at Maximum Lift	3902 mm	12'9"	4069 mm	13'4"
16 Dump Clearance at Maximum Lift and 45° Discharge*†	3362 mm	11'0"	3771 mm	12'4"
17 Reach at Maximum Lift and 45° Discharge*†	1569 mm	5'1"	1631 mm	5'4"
18 Dump Angle at Maximum Lift and Dump (on stops)*	50 degrees		50 degrees	
19 Rack Back at Maximum Lift*	57 degrees		56 degrees	
20 Rack Back at Carry Height*	48 degrees		49 degrees	
21 Rack Back at Ground*	39 degrees		40 degrees	
22 Clearance Circle (dia) to Counterweight	13 938 mm	45'9"	13 976 mm	45'11"
23 Clearance Circle (dia) to Outside of Tires	13 911 mm	45'8"	13 911 mm	45'8"
24 Clearance Circle (dia) to Inside of Tires	6970 mm	22'11"	6970 mm	22'11"
25 Width over Tires (unloaded)	3456 mm	11'5"	3456 mm	11'5"
Width over Tires (loaded)	3471 mm	11'5"	3471 mm	11'5"
26 Tread Width	2540 mm	8'4"	2540 mm	8'4"

†Dimensions are listed in Operating Specifications charts.

All height and tire related dimensions are with Bridgestone 875/65R29 VLTS L4 radial tires (see Tire Option Chart for other tires). "Width over Tires" dimensions are over the bulge and include growth.

• All dimensions are approximate and based on machine equipped with 6.1 m³ (8.0 yd³) general purpose bucket with BOCE and Bridgestone 875/65R29 VLTS L4 radial tires (see Operating Specifications for other buckets).

982 Wheel Loader Specifications

Tire Options

Tire Brand	Bridgestone	Bridgestone	Michelin	Bridgestone	Maxam
Tire Size	875/65R29	875/65R29	875/65R29	33/65R29	875/65R29
Tread Type	L-4	L-3	L-3	L-5	L-4
Tread Pattern	VLTS	VTS	XHA2	VSDL	MS405DX
Width over Tires – Maximum (empty)*	3456 mm 11'5"	3455 mm 11'5"	3496 mm 11'6"	3440 mm 11'4"	3474 mm 11'5"
Width over Tires – Maximum (loaded)*	3471 mm 11'5"	3464 mm 11'5"	3491 mm 11'6"	3457 mm 11'5"	3486 mm 11'6"
Change in Vertical Dimensions (average of front and rear)		-3 mm -0.1"	-13 mm -0.5"	37 mm 1.5"	-19 mm -0.7"
Change in Horizontal Reach		2 mm 0.1"	-1 mm 0"	-30 mm -1.2"	0 mm 0"
Change in Clearance Circle to Outside of Tires		-7 mm -0.3"	20 mm 0.8"	-13 mm -0.5"	16 mm 0.6"
Change in Clearance Circle to Inside of Tires		7 mm 0.3"	-20 mm -0.8"	13 mm 0.5"	-16 mm -0.6"
Change in Operating Weight (without Ballast)		-76 kg -168 lb	-356 kg -785 lb	1240 kg 2,734 lb	60 kg 132 lb
Change in Static Tipping Load – Straight		-50 kg -111 lb	-236 kg -520 lb	822 kg 1,811 lb	40 kg 88 lb
Change in Static Tipping Load – Articulated		-44 kg -97 lb	-206 kg -454 lb	718 kg 1,583 lb	35 kg 77 lb
Rear Axle Oscillation Angle	±13 degrees	±13 degrees	±13 degrees	±13 degrees	±13 degrees
Maximum Single-wheel Rise and Fall	571 mm 1'10"	571 mm 1'10"	571 mm 1'10"	571 mm 1'10"	571 mm 1'10"

*Width over tire bulge and includes tire growth.

982 Wheel Loader Specifications

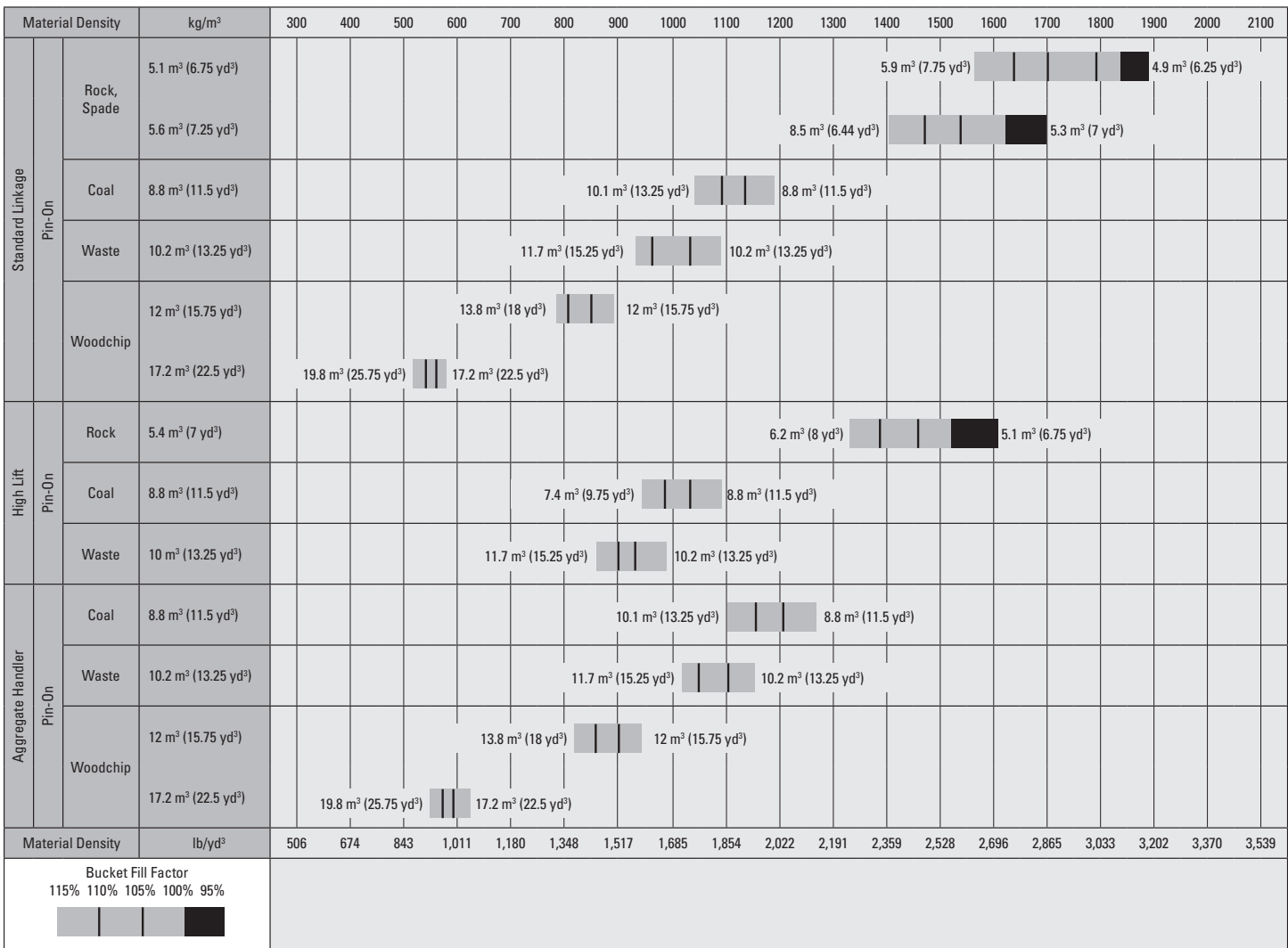
Bucket Fill Factors and Selection Guide

The bucket size must be chosen based on the density of the material and on the expected fill factor. The Cat Performance Series Buckets with longer floor, larger bucket opening, increased repository angle, rounded side boards and integrated spill guard, demonstrate fill factors significantly higher than previous generation or non Cat buckets. The actual volume handled by the machine is thus often larger than the rated capacity.

Loose Material		Fill Factor (%)*	Material Density
Earth/Clay		115	1.5-1.7
Sand and Gravel		115	1.5-1.7
Aggregate:	25-76 mm (1 to 3 in)	110	1.6-1.7
	19 mm (0.75 in) and smaller	105	1.8
Rock:	76 mm (3 in) and larger	100	1.6

*As a % of ISO 7546:1983 rated capacity.

Note: Fill Factors achieved will also depend on whether the product is washed or not washed.



Note: All buckets are showing Bolt-On Edges.

982 Wheel Loader Specifications

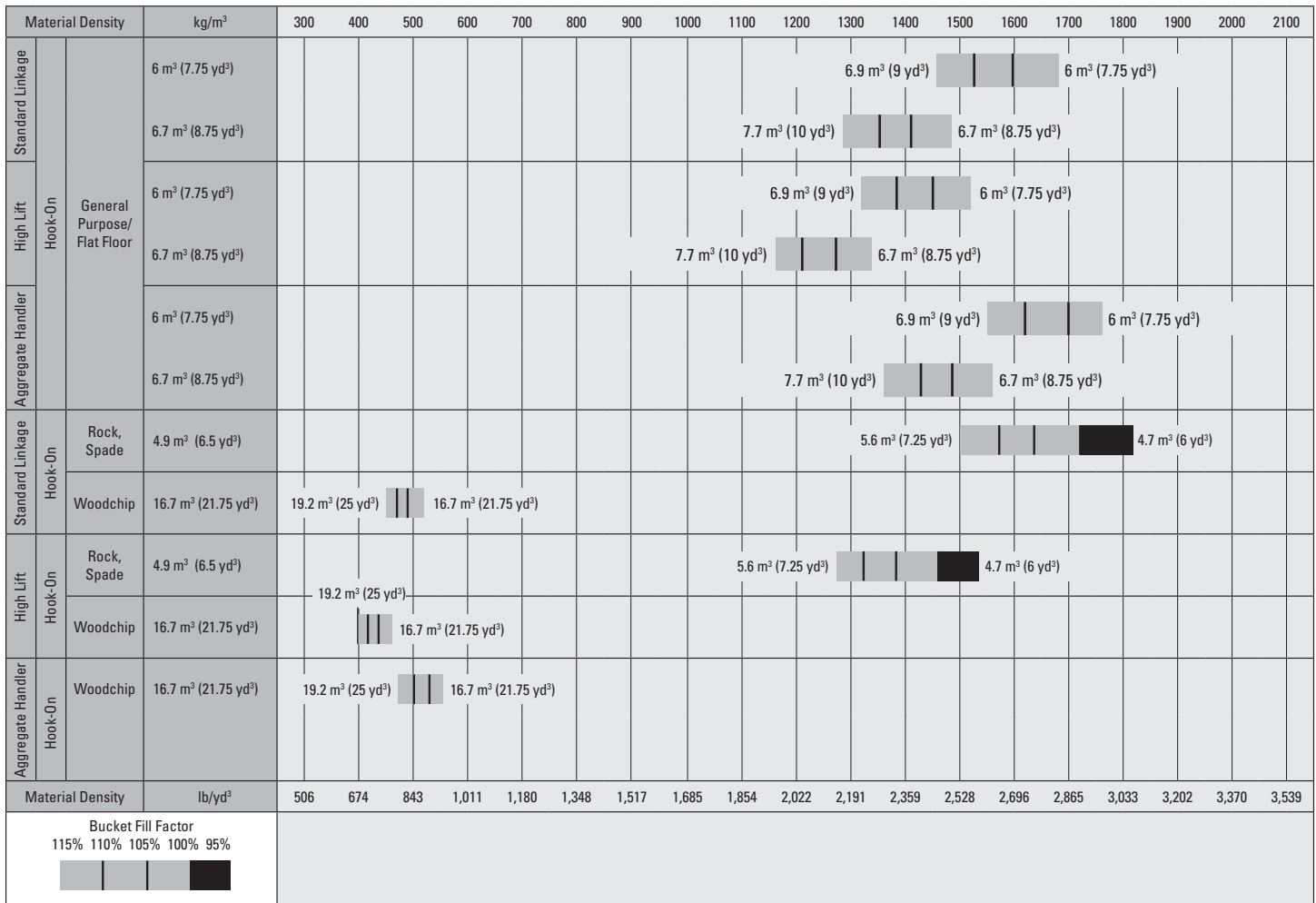
Bucket Fill Factors and Selection Guide

The bucket size must be chosen based on the density of the material and on the expected fill factor. The Cat Performance Series Buckets with longer floor, larger bucket opening, increased repository angle, rounded side boards and integrated spill guard, demonstrate fill factors significantly higher than previous generation or non Cat buckets. The actual volume handled by the machine is thus often larger than the rated capacity.

Loose Material		Fill Factor (%)*	Material Density
Earth/Clay		115	1.5-1.7
Sand and Gravel		115	1.5-1.7
Aggregate:	25-76 mm (1 to 3 in)	110	1.6-1.7
	19 mm (0.75 in) and smaller	105	1.8
Rock:	76 mm (3 in) and larger	100	1.6

*As a % of ISO 7546:1983 rated capacity.

Note: Fill Factors achieved will also depend on whether the product is washed or not washed.



Note: All buckets are showing Bolt-On Edges.

982 Wheel Loader Specifications

Operating Specifications – Buckets

Linkage		Standard Linkage					
Bucket Type	Edge Type	General Purpose – Pin On		General Purpose – Pin On – Abrasion			
		Bolt-On Cutting Edges	Teeth and Segments	Bolt-On Cutting Edges	Teeth and Segments	Bolt-On Cutting Edges	Teeth and Segments
Capacity – Rated	m ³	6.10	6.10	6.40	6.40	7.00	7.00
	yd ³	8.00	8.00	8.25	8.25	9.25	9.25
Capacity – Rated at 110% Fill Factor	m ³	6.70	6.70	7.00	7.00	7.70	7.70
	yd ³	8.75	8.75	9.25	9.25	10.00	10.00
Width	mm	3602	3665	3602	3665	3602	3665
	ft/in	11'9"	12'0"	11'9"	12'0"	11'9"	12'0"
16 † Dump Clearance at Maximum Lift and 45° Discharge	mm	3362	3194	3325	3156	3275	3106
	ft/in	11'0"	10'5"	10'10"	10'4"	10'8"	10'2"
17 † Reach at Maximum Lift and 45° Discharge	mm	1569	1703	1602	1735	1644	1776
	ft/in	5'1"	5'7"	5'3"	5'8"	5'4"	5'9"
Reach at Level Lift Arm and Bucket Level	mm	3257	3468	3307	3518	3374	3585
	ft/in	10'8"	11'4"	10'10"	11'6"	11'0"	11'9"
A † Digging Depth	mm	119	119	119	119	119	119
	in	4.6"	4.6"	4.6"	4.6"	4.6"	4.6"
12 † Overall Length	mm	10 184	10 419	10 234	10 469	10 301	10 536
	ft/in	33'5"	34'3"	33'7"	34'5"	33'10"	34'7"
B † Overall Height with Bucket at Maximum Lift	mm	6590	6590	6639	6639	6706	6706
	ft/in	21'8"	21'8"	21'10"	21'10"	22'0"	22'0"
Loader Clearance Circle Radius with Bucket at Carry Position	mm	7885	7993	7900	8009	7921	8030
	ft/in	25'11"	26'3"	26'0"	26'4"	26'0"	26'5"
Static Tipping Load, Straight (ISO)*	kg	24 782	24 683	24 573	24 474	24 339	24 239
	lb	54,619	54,401	54,160	53,941	53,643	53,422
Static Tipping Load, Straight (Rigid Tire)*	kg	26 088	25 989	25 888	25 788	25 661	25 560
	lb	57,500	57,280	57,058	56,837	56,559	56,336
Static Tipping Load, Articulated (ISO)*	kg	21 110	21 011	20 910	20 810	20 685	20 585
	lb	46,526	46,308	46,086	45,867	45,590	45,370
Static Tipping Load, Articulated (Rigid Tire)*	kg	22 418	22 318	22 226	22 126	22 009	21 908
	lb	49,410	49,191	48,987	48,766	48,509	48,286
Breakout Force (§)	kN	262	262	253	253	242	242
	lbf	59,060	58,913	57,055	56,907	54,561	54,413
Operating Weight*	kg	35 510	35 582	35 641	35 713	35 782	35 854
	lb	78,264	78,423	78,552	78,712	78,863	79,023

* Static tipping loads and operating weights shown are based on a machine configuration with Bridgestone 875/65R29 VLTS L4 radial tires, full fluids, operator, counterweight, ride control, cold start, roading fenders, Product Link, limited slip differentials, powertrain guard, secondary steering and sound suppression.

† Illustration shown with Dimension charts.

***Rock bucket specifications are given on Bridgestone 33/65R29 VSDL L5 radial tires.

(§) Measured 102 mm (4") behind tip of cutting edge with bucket hinge pin as pivot point in accordance with SAE J732C.

(§) Specifications and ratings conform to all applicable standards recommended by the Society of Automotive Engineers, including SAE Standard J732C governing loader ratings.

(ISO) Full compliance to ISO 14397-1:2007 Sections 1 thru 6, which requires 2% verification between calculations and testing.

(Rigid Tire) Compliance to ISO 14397-1:2007 Sections 1 thru 5.

Other buckets are available and offerings vary by region. Consult your local Cat dealer for further details.

982 Wheel Loader Specifications

Operating Specifications – Buckets *(continued)*

Linkage		Standard Linkage			
Bucket Type		General Purpose – Pin On – Abrasion		General Purpose – Pin On – HD	
Edge Type		Bolt-On Cutting Edges	Teeth and Segments	Bolt-On Cutting Edges	Teeth and Segments
Capacity – Rated	m ³	7.50	7.50	7.00	7.00
	yd ³	9.75	9.75	9.25	9.25
Capacity – Rated at 110% Fill Factor	m ³	8.30	8.30	7.70	7.70
	yd ³	10.75	10.75	10.00	10.00
Width	mm	3602	3665	3646	3709
	ft/in	11'9"	12'0"	11'11"	12'2"
16 † Dump Clearance at Maximum Lift and 45° Discharge	mm	3224	3055	3282	3113
	ft/in	10'6"	10'0"	10'9"	10'2"
17 † Reach at Maximum Lift and 45° Discharge	mm	1689	1820	1652	1785
	ft/in	5'6"	5'11"	5'5"	5'10"
Reach at Level Lift Arm and Bucket Level	mm	3442	3653	3375	3586
	ft/in	11'3"	11'11"	11'0"	11'9"
A † Digging Depth	mm	119	119	109	109
	in	4.6"	4.6"	4.2"	4.2"
12 † Overall Length	mm	10 369	10 604	10 296	10 531
	ft/in	34'1"	34'10"	33'10"	34'7"
B † Overall Height with Bucket at Maximum Lift	mm	6773	6773	6706	6706
	ft/in	22'3"	22'3"	22'0"	22'0"
Loader Clearance Circle Radius with Bucket at Carry Position	mm	7943	8052	7937	8046
	ft/in	26'1"	26'5"	26'1"	26'5"
Static Tipping Load, Straight (ISO)*	kg	24 134	24 033	24 453	24 353
	lb	53,192	52,970	53,896	53,675
Static Tipping Load, Straight (Rigid Tire)*	kg	25 465	25 363	25 777	25 676
	lb	56,124	55,900	56,812	56,590
Static Tipping Load, Articulated (ISO)*	kg	20 491	20 390	20 795	20 695
	lb	45,163	44,940	45,833	45,612
Static Tipping Load, Articulated (Rigid Tire)*	kg	21 823	21 721	22 119	22 018
	lb	48,097	47,873	48,751	48,529
Breakout Force (§)	kN	232	231	243	242
	lbf	52,243	52,094	54,616	54,473
Operating Weight*	kg	35 888	35 960	35 634	35 706
	lb	79,097	79,256	78,537	78,696

* Static tipping loads and operating weights shown are based on a machine configuration with Bridgestone 875/65R29 VLTS L4 radial tires, full fluids, operator, counterweight, ride control, cold start, roading fenders, Product Link, limited slip differentials, powertrain guard, secondary steering and sound suppression.

† Illustration shown with Dimension charts.

*** Rock bucket specifications are given on Bridgestone 33/65R29 VSDL L5 radial tires.

(§) Measured 102 mm (4") behind tip of cutting edge with bucket hinge pin as pivot point in accordance with SAE J732C.

(§) Specifications and ratings conform to all applicable standards recommended by the Society of Automotive Engineers, including SAE Standard J732C governing loader ratings.

(ISO) Full compliance to ISO 14397-1:2007 Sections 1 thru 6, which requires 2% verification between calculations and testing.

(Rigid Tire) Compliance to ISO 14397-1:2007 Sections 1 thru 5.

Other buckets are available and offerings vary by region. Consult your local Cat dealer for further details.

982 Wheel Loader Specifications

Operating Specifications – Buckets *(continued)*

Linkage		Standard Linkage			
		General Purpose – Hook-On – Fusion™		General Purpose – Hook-On – Fusion – Abrasion	
Bucket Type					
Edge Type		Bolt-On Cutting Edges	Teeth and Segments	Bolt-On Cutting Edges	Teeth and Segments
Capacity – Rated	m ³	6.00	6.00	6.70	6.70
	yd ³	7.75	7.75	8.75	8.75
Capacity – Rated at 110% Fill Factor	m ³	6.60	6.60	7.40	7.40
	yd ³	8.75	8.75	9.75	9.75
Width	mm	3602	3698	3602	3698
	ft/in	11'9"	12'1"	11'9"	12'1"
16 † Dump Clearance at Maximum Lift and 45° Discharge	mm	3247	3059	3168	2979
	ft/in	10'7"	10'0"	10'4"	9'9"
17 † Reach at Maximum Lift and 45° Discharge	mm	1695	1853	1760	1916
	ft/in	5'6"	6'0"	5'9"	6'3"
Reach at Level Lift Arm and Bucket Level	mm	3426	3668	3530	3772
	ft/in	11'2"	12'0"	11'6"	12'4"
A † Digging Depth	mm	129	129	129	129
	in	5.1"	5.1"	5.1"	5.1"
12 † Overall Length	mm	10 360	10 626	10 464	10 730
	ft/in	34'0"	34'11"	34'4"	35'3"
B † Overall Height with Bucket at Maximum Lift	mm	6658	6658	6756	6756
	ft/in	21'11"	21'11"	22'2"	22'2"
Loader Clearance Circle Radius with Bucket at Carry Position	mm	7937	8074	7971	8109
	ft/in	26'1"	26'6"	26'2"	26'8"
Static Tipping Load, Straight (ISO)*	kg	22 637	22 547	22 277	22 188
	lb	49,893	49,693	49,099	48,903
Static Tipping Load, Straight (Rigid Tire)*	kg	23 884	23 793	23 533	23 444
	lb	52,641	52,439	51,868	51,670
Static Tipping Load, Articulated (ISO)*	kg	19 116	19 025	18 770	18 681
	lb	42,133	41,932	41,370	41,173
Static Tipping Load, Articulated (Rigid Tire)*	kg	20 368	20 277	20 031	19 942
	lb	44,892	44,690	44,150	43,952
Breakout Force (§)	kN	232	232	218	217
	lbf	52,324	52,164	48,982	48,825
Operating Weight*	kg	36 606	36 671	36 834	36 896
	lb	80,678	80,821	81,181	81,317

* Static tipping loads and operating weights shown are based on a machine configuration with Bridgestone 875/65R29 VLTS L4 radial tires, full fluids, operator, counterweight, ride control, cold start, roading fenders, Product Link, limited slip differentials, powertrain guard, secondary steering and sound suppression.

† Illustration shown with Dimension charts.

***Rock bucket specifications are given on Bridgestone 33/65R29 VSDL L5 radial tires.

(§) Measured 102 mm (4") behind tip of cutting edge with bucket hinge pin as pivot point in accordance with SAE J732C.

(§) Specifications and ratings conform to all applicable standards recommended by the Society of Automotive Engineers, including SAE Standard J732C governing loader ratings.

(ISO) Full compliance to ISO 14397-1:2007 Sections 1 thru 6, which requires 2% verification between calculations and testing.

(Rigid Tire) Compliance to ISO 14397-1:2007 Sections 1 thru 5.

Other buckets are available and offerings vary by region. Consult your local Cat dealer for further details.

982 Wheel Loader Specifications

Operating Specifications – Buckets *(continued)*

Linkage		Standard Linkage				
Bucket Type		Flat Floor – Pin-On		Flat Floor – Pin-On – HD		Flat Floor – Pin-On – Light Material (Coal)
		Bolt-On Cutting Edges	Teeth and Segments	Bolt-On Cutting Edges	Teeth and Segments	Bolt-On Cutting Edges
Capacity – Rated	m ³	6.40	6.40	7.00	7.00	8.80
	yd ³	8.25	8.25	9.25	9.25	11.50
Capacity – Rated at 110% Fill Factor	m ³	7.00	7.00	7.70	7.70	9.70
	yd ³	9.25	9.25	10.00	10.00	12.75
Width	mm	3602	3665	3602	3665	3639
	ft/in	11'9"	12'0"	11'9"	12'0"	11'11"
16 † Dump Clearance at Maximum Lift and 45° Discharge	mm	3246	3069	3198	3021	3015
	ft/in	10'7"	10'0"	10'5"	9'10"	9'10"
17 † Reach at Maximum Lift and 45° Discharge	mm	1516	1638	1581	1703	1743
	ft/in	4'11"	5'4"	5'2"	5'7"	5'8"
Reach at Level Lift Arm and Bucket Level	mm	3321	3532	3401	3612	3645
	ft/in	10'10"	11'7"	11'1"	11'10"	11'11"
A † Digging Depth	mm	119	119	107	107	122
	in	4.6"	4.6"	4.2"	4.2"	4.8"
12 † Overall Length	mm	10 248	10 483	10 321	10 556	10 574
	ft/in	33'8"	34'5"	33'11"	34'8"	34'9"
B † Overall Height with Bucket at Maximum Lift	mm	6623	6623	6707	6707	6960
	ft/in	21'9"	21'9"	22'1"	22'1"	22'10"
Loader Clearance Circle Radius with Bucket at Carry Position	mm	7905	8014	7925	8035	8025
	ft/in	25'12"	26'4"	25'12"	26'5"	26'4"
Static Tipping Load, Straight (ISO)*	kg	24,184	24 086	23 067	22 968	23 220
	lb	53 303	53,086	50,839	50,621	51,177
Static Tipping Load, Straight (Rigid Tire)*	kg	25 459	25 360	24 346	24 246	24 533
	lb	56,112	55,894	53,660	53,440	54,071
Static Tipping Load, Articulated (ISO)*	kg	20 574	20 476	19 461	19 362	19 658
	lb	45,346	45,129	42,892	42,674	43,327
Static Tipping Load, Articulated (Rigid Tire)*	kg	21 852	21 753	20 744	20 644	20 974
	lb	48,163	47,945	45,720	45,500	46,226
Breakout Force (§)	kN	251	250	235	234	205
	lbf	56,505	56,357	52,804	52,662	46,188
Operating Weight*	kg	35 669	35 741	36 654	36 726	36 180
	lb	78,614	78,773	80,785	80,944	79,739

* Static tipping loads and operating weights shown are based on a machine configuration with Bridgestone 875/65R29 VLTS L4 radial tires, full fluids, operator, counterweight, ride control, cold start, roading fenders, Product Link, limited slip differentials, powertrain guard, secondary steering and sound suppression.

† Illustration shown with Dimension charts.

*** Rock bucket specifications are given on Bridgestone 33/65R29 VSDL L5 radial tires.

(§) Measured 102 mm (4") behind tip of cutting edge with bucket hinge pin as pivot point in accordance with SAE J732C.

(§) Specifications and ratings conform to all applicable standards recommended by the Society of Automotive Engineers, including SAE Standard J732C governing loader ratings.

(ISO) Full compliance to ISO 14397-1:2007 Sections 1 thru 6, which requires 2% verification between calculations and testing.

(Rigid Tire) Compliance to ISO 14397-1:2007 Sections 1 thru 5.

Other buckets are available and offerings vary by region. Consult your local Cat dealer for further details.

Operating Specifications – Buckets *(continued)*

Linkage		Standard Linkage	
Bucket Type		Rock, Spade – Pin-On – HD***	
Edge Type		Teeth and Segments	Teeth and Segments
Capacity – Rated	m ³	5.40	5.80
	yd ³	7.00	7.50
Capacity – Rated at 110% Fill Factor	m ³	5.90	6.40
	yd ³	7.75	8.25
Width	mm	3644	3663
	ft/in	11'11"	12'0"
16 † Dump Clearance at Maximum Lift and 45° Discharge	mm	3150	3139
	ft/in	10'4"	10'3"
17 † Reach at Maximum Lift and 45° Discharge	mm	1874	1908
	ft/in	6'1"	6'3"
Reach at Level Lift Arm and Bucket Level	mm	3637	3670
	ft/in	11'11"	12'0"
A † Digging Depth	mm	79	70
	in	3.1"	2.7"
12 † Overall Length	mm	10 582	10 607
	ft/in	34'9"	34'10"
B † Overall Height with Bucket at Maximum Lift	mm	6587	6622
	ft/in	21'8"	21'9"
Loader Clearance Circle Radius with Bucket at Carry Position	mm	8040	8054
	ft/in	26'5"	26'6"
Static Tipping Load, Straight (ISO)*	kg	25 141	24 562
	lb	55,412	54,136
Static Tipping Load, Straight (Rigid Tire)*	kg	26 508	25 933
	lb	58,424	57,157
Static Tipping Load, Articulated (ISO)*	kg	21 336	20 758
	lb	47,026	45,751
Static Tipping Load, Articulated (Rigid Tire)*	kg	22 705	22 131
	lb	50,043	48,777
Breakout Force (§)	kN	233	227
	lbf	52,561	51,096
Operating Weight*	kg	37 331	37 869
	lb	82,276	83,464

* Static tipping loads and operating weights shown are based on a machine configuration with Bridgestone 875/65R29 VLTS L4 radial tires, full fluids, operator, counterweight, ride control, cold start, roading fenders, Product Link, limited slip differentials, powertrain guard, secondary steering and sound suppression.

† Illustration shown with Dimension charts.

***Rock bucket specifications are given on Bridgestone 33/65R29 VSDL L5 radial tires.

(§) Measured 102 mm (4") behind tip of cutting edge with bucket hinge pin as pivot point in accordance with SAE J732C.

(§) Specifications and ratings conform to all applicable standards recommended by the Society of Automotive Engineers, including SAE Standard J732C governing loader ratings.

(ISO) Full compliance to ISO 14397-1:2007 Sections 1 thru 6, which requires 2% verification between calculations and testing.

(Rigid Tire) Compliance to ISO 14397-1:2007 Sections 1 thru 5.

Other buckets are available and offerings vary by region. Consult your local Cat dealer for further details.

982 Wheel Loader Specifications

Operating Specifications – Buckets *(continued)*

Linkage		High Lift Linkage					
Bucket Type	Edge Type	General Purpose – Pin-On		General Purpose – Pin-On – Abrasion			
		Bolt-On Cutting Edges	Teeth and Segments	Bolt-On Cutting Edges	Teeth and Segments	Bolt-On Cutting Edges	Teeth and Segments
Capacity – Rated	m ³	6.10	6.10	6.40	6.40	7.00	7.00
	yd ³	8.00	8.00	8.25	8.25	9.25	9.25
Capacity – Rated at 110% Fill Factor	m ³	6.70	6.70	7.00	7.00	7.70	7.70
	yd ³	8.75	8.75	9.25	9.25	10.00	10.00
Width	mm	3602	3665	3602	3665	3602	3665
	ft/in	11'9"	12'0"	11'9"	12'0"	11'9"	12'0"
16 † Dump Clearance at Maximum Lift and 45° Discharge	mm	3771	3603	3734	3565	3684	3515
	ft/in	12'4"	11'9"	12'3"	11'8"	12'1"	11'6"
17 † Reach at Maximum Lift and 45° Discharge	mm	1631	1764	1663	1796	1706	1838
	ft/in	5'4"	5'9"	5'5"	5'10"	5'7"	6'0"
Reach at Level Lift Arm and Bucket Level	mm	3597	3809	3647	3859	3714	3926
	ft/in	11'9"	12'5"	11'11"	12'7"	12'2"	12'10"
A † Digging Depth	mm	119	119	119	119	119	119
	in	4.6"	4.6"	4.6"	4.6"	4.6"	4.6"
12 † Overall Length	mm	10 692	10 924	10 742	10 974	10 809	11 041
	ft/in	35'1"	35'11"	35'3"	36'1"	35'6"	36'3"
B † Overall Height with Bucket at Maximum Lift	mm	6981	6981	7048	7048	7115	7115
	ft/in	22'11"	22'11"	23'2"	23'2"	23'5"	23'5"
Loader Clearance Circle Radius with Bucket at Carry Position	mm	8066	8181	8082	8198	8104	8220
	ft/in	26'6"	26'11"	26'7"	26'11"	26'8"	27'0"
Static Tipping Load, Straight (ISO)*	kg	22 495	22 399	22 386	22 289	22 165	22 068
	lb	49,580	49,369	49,339	49,126	48,853	48,638
Static Tipping Load, Straight (Rigid Tire)*	kg	23 582	23 486	23 473	23 376	23 259	23 162
	lb	51,976	51,764	51,735	51,521	51,264	51,049
Static Tipping Load, Articulated (ISO)*	kg	19 016	18 920	18 906	18 809	18 694	18 597
	lb	41,912	41,700	41,670	41,456	41,202	40,988
Static Tipping Load, Articulated (Rigid Tire)*	kg	20 123	20 027	20 014	19 917	19 809	19 711
	lb	44,352	44,140	44,111	43,897	43,659	43,443
Breakout Force (§)	kN	252	252	244	243	233	233
	lbf	56,827	56,707	54,909	54,788	52,499	52,377
Operating Weight*	kg	36 633	36 705	36 731	36 803	36 872	36 944
	lb	80,738	80,897	80,954	81,113	81,265	81,424

* Static tipping loads and operating weights shown are based on a machine configuration with Bridgestone 875/65R29 VLTS L4 radial tires, full fluids, operator, counterweight, ride control, cold start, roading fenders, Product Link, limited slip differentials, powertrain guard, secondary steering and sound suppression.

† Illustration shown with Dimension charts.

*** Rock bucket specifications are given on Bridgestone 33/65R29 VSDL L5 radial tires.

(§) Measured 102 mm (4") behind tip of cutting edge with bucket hinge pin as pivot point in accordance with SAE J732C.

(§) Specifications and ratings conform to all applicable standards recommended by the Society of Automotive Engineers, including SAE Standard J732C governing loader ratings.

(ISO) Full compliance to ISO 14397-1:2007 Sections 1 thru 6, which requires 2% verification between calculations and testing.

(Rigid Tire) Compliance to ISO 14397-1:2007 Sections 1 thru 5.

Other buckets are available and offerings vary by region. Consult your local Cat dealer for further details.

982 Wheel Loader Specifications

Operating Specifications – Buckets (continued)

Linkage		High Lift Linkage			
Bucket Type		General Purpose – Pin-On – Abrasion		General Purpose – Pin On – HD	
Edge Type		Bolt-On Cutting Edges	Teeth and Segments	Bolt-On Cutting Edges	Teeth and Segments
Capacity – Rated	m ³	7.50	7.50	7.00	7.00
	yd ³	9.75	9.75	9.25	9.25
Capacity – Rated at 110% Fill Factor	m ³	8.30	8.30	7.70	7.70
	yd ³	10.75	10.75	10.00	10.00
Width	mm	3602	3665	3646	3709
	ft/in	11'9"	12'0"	11'11"	12'2"
16 † Dump Clearance at Maximum Lift and 45° Discharge	mm	3633	3464	3691	3522
	ft/in	11'11"	11'4"	12'1"	11'6"
17 † Reach at Maximum Lift and 45° Discharge	mm	1750	1881	1714	1846
	ft/in	5'8"	6'2"	5'7"	6'0"
Reach at Level Lift Arm and Bucket Level	mm	3782	3994	3715	3927
	ft/in	12'4"	13'1"	12'2"	12'10"
A † Digging Depth	mm	119	119	109	109
	in	4.6"	4.6"	4.3"	4.3"
12 † Overall Length	mm	10 877	11 109	10 804	11 037
	ft/in	35'9"	36'6"	35'6"	36'3"
B † Overall Height with Bucket at Maximum Lift	mm	7182	7182	7115	7115
	ft/in	23'7"	23'7"	23'5"	23'5"
Loader Clearance Circle Radius with Bucket at Carry Position	mm	8127	8243	8119	8235
	ft/in	26'8"	27'1"	26'8"	27'1"
Static Tipping Load, Straight (ISO)*	kg	21 975	21 878	22 281	22 184
	lb	48,434	48,219	49,108	48,894
Static Tipping Load, Straight (Rigid Tire)*	kg	23 076	22 978	23 375	23 278
	lb	50,861	50,644	51,520	51,304
Static Tipping Load, Articulated (ISO)*	kg	18 513	18 415	18 806	18 709
	lb	40,804	40,588	41,449	41,235
Static Tipping Load, Articulated (Rigid Tire)*	kg	19 634	19 536	19 920	19 822
	lb	43,275	43,058	43,905	43,689
Breakout Force (§)	kN	223	223	233	233
	lbf	50,259	50,135	52,549	52,430
Operating Weight*	kg	36 978	37 050	36 724	36 796
	lb	81,498	81,658	80,938	81,098

* Static tipping loads and operating weights shown are based on a machine configuration with Bridgestone 875/65R29 VLTS L4 radial tires, full fluids, operator, counterweight, ride control, cold start, roading fenders, Product Link, limited slip differentials, powertrain guard, secondary steering and sound suppression.

† Illustration shown with Dimension charts.

***Rock bucket specifications are given on Bridgestone 33/65R29 VSDL L5 radial tires.

(§) Measured 102 mm (4") behind tip of cutting edge with bucket hinge pin as pivot point in accordance with SAE J732C.

(§) Specifications and ratings conform to all applicable standards recommended by the Society of Automotive Engineers, including SAE Standard J732C governing loader ratings.

(ISO) Full compliance to ISO 14397-1:2007 Sections 1 thru 6, which requires 2% verification between calculations and testing.

(Rigid Tire) Compliance to ISO 14397-1:2007 Sections 1 thru 5.

Other buckets are available and offerings vary by region. Consult your local Cat dealer for further details.

982 Wheel Loader Specifications

Operating Specifications – Buckets *(continued)*

Linkage		High Lift Linkage			
Bucket Type	Edge Type	General Purpose – Hook-On – Fusion		General Purpose – Hook-On – Fusion – Abrasion	
		Bolt-On Cutting Edges	Teeth and Segments	Bolt-On Cutting Edges	Teeth and Segments
Capacity – Rated	m ³	6.00	6.00	6.70	6.70
	yd ³	7.75	7.75	8.75	8.75
Capacity – Rated at 110% Fill Factor	m ³	6.60	6.60	7.40	7.40
	yd ³	8.75	8.75	9.75	9.75
Width	mm	3602	3698	3602	3698
	ft/in	11'9"	12'1"	11'9"	12'1"
16 † Dump Clearance at Maximum Lift and 45° Discharge	mm	3656	3468	3577	3388
	ft/in	11'11"	11'4"	11'8"	11'1"
17 † Reach at Maximum Lift and 45° Discharge	mm	1756	1914	1821	1977
	ft/in	5'9"	6'3"	5'11"	6'5"
Reach at Level Lift Arm and Bucket Level	mm	3766	4009	3870	4113
	ft/in	12'4"	13'1"	12'8"	13'5"
A † Digging Depth	mm	130	130	130	130
	in	5.1"	5.1"	5.1"	5.1"
12 † Overall Length	mm	10 867	11 130	10 971	11 234
	ft/in	35'8"	36'7"	36'0"	36'11"
B † Overall Height with Bucket at Maximum Lift	mm	7067	7067	7165	7165
	ft/in	23'3"	23'3"	23'7"	23'7"
Loader Clearance Circle Radius with Bucket at Carry Position	mm	8121	8261	8157	8297
	ft/in	26'8"	27'2"	26'10"	27'3"
Static Tipping Load, Straight (ISO)*	kg	20 624	20 536	20 283	20 197
	lb	45,456	45,262	44,704	44,514
Static Tipping Load, Straight (Rigid Tire)*	kg	21 665	21 576	21 332	21 245
	lb	47,749	47,554	47,016	46,825
Static Tipping Load, Articulated (ISO)*	kg	17 266	17 178	16 938	16 851
	lb	38,055	37,861	37,331	37,141
Static Tipping Load, Articulated (Rigid Tire)*	kg	18 329	18 240	18 008	17 922
	lb	40,397	40,202	39,691	39,500
Breakout Force (§)	kN	224	223	209	209
	lbf	50,330	50,196	47,097	46,966
Operating Weight*	kg	37 695	37 760	37 923	37 985
	lb	83,080	83,223	83,582	83,719

* Static tipping loads and operating weights shown are based on a machine configuration with Bridgestone 875/65R29 VLTS L4 radial tires, full fluids, operator, counterweight, ride control, cold start, roading fenders, Product Link, limited slip differentials, powertrain guard, secondary steering and sound suppression.

† Illustration shown with Dimension charts.

***Rock bucket specifications are given on Bridgestone 33/65R29 VSDL L5 radial tires.

(§) Measured 102 mm (4") behind tip of cutting edge with bucket hinge pin as pivot point in accordance with SAE J732C.

(§) Specifications and ratings conform to all applicable standards recommended by the Society of Automotive Engineers, including SAE Standard J732C governing loader ratings.

(ISO) Full compliance to ISO 14397-1:2007 Sections 1 thru 6, which requires 2% verification between calculations and testing.

(Rigid Tire) Compliance to ISO 14397-1:2007 Sections 1 thru 5.

Other buckets are available and offerings vary by region. Consult your local Cat dealer for further details.

982 Wheel Loader Specifications

Operating Specifications – Buckets (continued)

Linkage		High Lift Linkage				
Bucket Type		Flat Floor – Pin-On		Flat Floor – Pin-On – HD		Flat Floor – Pin-On – Light Material (Coal)
		Bolt-On Cutting Edges	Teeth and Segments	Bolt-On Cutting Edges	Teeth and Segments	Bolt-On Cutting Edges
Capacity – Rated	m ³	6.40	6.40	7.00	7.00	8.80
	yd ³	8.25	8.25	9.25	9.25	11.50
Capacity – Rated at 110% Fill Factor	m ³	7.00	7.00	7.70	7.70	9.70
	yd ³	9.25	9.25	10.00	10.00	12.75
Width	mm	3602	3665	3602	3665	3639
	ft/in	11'9"	12'0"	11'9"	12'0"	11'11"
16† Dump Clearance at Maximum Lift and 45° Discharge	mm	3655	3478	3607	3430	3424
	ft/in	11'11"	11'4"	11'10"	11'3"	11'2"
17† Reach at Maximum Lift and 45° Discharge	mm	1577	1699	1642	1764	1804
	ft/in	5'2"	5'6"	5'4"	5'9"	5'11"
Reach at Level Lift Arm and Bucket Level	mm	3661	3873	3741	3953	3986
	ft/in	12'0"	12'8"	12'3"	12'11"	13'0"
A† Digging Depth	mm	119	119	107	107	122
	in	4.6"	4.6"	4.2"	4.2"	4.8"
12† Overall Length	mm	10 756	10 988	10 829	11 062	11 082
	ft/in	35'4"	36'1"	35'7"	36'4"	36'5"
B† Overall Height with Bucket at Maximum Lift	mm	7032	7032	7116	7116	7369
	ft/in	23'1"	23'1"	23'5"	23'5"	24'3"
Loader Clearance Circle Radius with Bucket at Carry Position	mm	8087	8202	8108	8223	8212
	ft/in	26'7"	26'11"	26'8"	27'0"	27'0"
Static Tipping Load, Straight (ISO)*	kg	22 063	21 968	20 961	20 865	21 166
	lb	48,628	48,418	46,200	45,988	46,650
Static Tipping Load, Straight (Rigid Tire)*	kg	23 122	23 026	22 024	21 927	22 257
	lb	50,961	50,749	48,541	48,328	49,056
Static Tipping Load, Articulated (ISO)*	kg	18 629	18 533	17 531	17 435	17 773
	lb	41,059	40,848	38,639	38,426	39,173
Static Tipping Load, Articulated (Rigid Tire)*	kg	19 709	19 613	18 615	18 518	18 886
	lb	43,439	43,227	41,028	40,815	41,626
Breakout Force (§)	kN	242	241	225	225	197
	lbf	54,378	54,256	50,767	50,648	44,407
Operating Weight*	kg	36 759	36 831	37 744	37 816	37 269
	lb	81,016	81,175	83,187	83,346	82,141

* Static tipping loads and operating weights shown are based on a machine configuration with Bridgestone 875/65R29 VLTS L4 radial tires, full fluids, operator, counterweight, ride control, cold start, roading fenders, Product Link, limited slip differentials, powertrain guard, secondary steering and sound suppression.

† Illustration shown with Dimension charts.

*** Rock bucket specifications are given on Bridgestone 33/65R29 VSDL L5 radial tires.

(§) Measured 102 mm (4") behind tip of cutting edge with bucket hinge pin as pivot point in accordance with SAE J732C.

(§) Specifications and ratings conform to all applicable standards recommended by the Society of Automotive Engineers, including SAE Standard J732C governing loader ratings.

(ISO) Full compliance to ISO 14397-1:2007 Sections 1 thru 6, which requires 2% verification between calculations and testing.

(Rigid Tire) Compliance to ISO 14397-1:2007 Sections 1 thru 5.

Other buckets are available and offerings vary by region. Consult your local Cat dealer for further details.

982 Wheel Loader Specifications

Operating Specifications – Buckets *(continued)*

Linkage		High Lift Linkage	
Bucket Type		Rock, Spade – Pin-On – HD***	
Edge Type		Teeth and Segments	Teeth and Segments
Capacity – Rated	m ³	5.40	5.80
	yd ³	7.00	7.50
Capacity – Rated at 110% Fill Factor	m ³	5.90	6.40
	yd ³	7.75	8.25
Width	mm	3663	3663
	ft/in	12'0"	12'0"
16 † Dump Clearance at Maximum Lift and 45° Discharge	mm	3592	3548
	ft/in	11'9"	11'7"
17 † Reach at Maximum Lift and 45° Discharge	mm	1945	1970
	ft/in	6'4"	6'5"
Reach at Level Lift Arm and Bucket Level	mm	3961	4011
	ft/in	12'11"	13'1"
A † Digging Depth	mm	70	70
	in	2.7"	2.7"
12 † Overall Length	mm	11 067	11 117
	ft/in	36'4"	36'6"
B † Overall Height with Bucket at Maximum Lift	mm	6986	7031
	ft/in	23'0"	23'1"
Loader Clearance Circle Radius with Bucket at Carry Position	mm	8223	8240
	ft/in	27'0"	27'1"
Static Tipping Load, Straight (ISO)*	kg	22 431	22 252
	lb	49,438	49,045
Static Tipping Load, Straight (Rigid Tire)*	kg	23 556	23 382
	lb	51,919	51,536
Static Tipping Load, Articulated (ISO)*	kg	18 820	18 648
	lb	41,480	41,101
Static Tipping Load, Articulated (Rigid Tire)*	kg	19 968	19 800
	lb	44,010	43,641
Breakout Force (§)	kN	225	218
	lbf	50,745	49,120
Operating Weight*	kg	38 845	38 959
	lb	85,615	85,865

* Static tipping loads and operating weights shown are based on a machine configuration with Bridgestone 875/65R29 VLTS L4 radial tires, full fluids, operator, counterweight, ride control, cold start, roading fenders, Product Link, limited slip differentials, powertrain guard, secondary steering and sound suppression.

† Illustration shown with Dimension charts.

***Rock bucket specifications are given on Bridgestone 33/65R29 VSDL L5 radial tires.

(§) Measured 102 mm (4") behind tip of cutting edge with bucket hinge pin as pivot point in accordance with SAE J732C.

(§) Specifications and ratings conform to all applicable standards recommended by the Society of Automotive Engineers, including SAE Standard J732C governing loader ratings.

(ISO) Full compliance to ISO 14397-1:2007 Sections 1 thru 6, which requires 2% verification between calculations and testing.

(Rigid Tire) Compliance to ISO 14397-1:2007 Sections 1 thru 5.

Other buckets are available and offerings vary by region. Consult your local Cat dealer for further details.

982 Wheel Loader Specifications

Operating Specifications – Buckets *(continued)*

Linkage		Aggregate Handler Linkage					
Bucket Type	Edge Type	General Purpose – Pin On		General Purpose – Pin On – Abrasion			
		Bolt-On Cutting Edges	Teeth and Segments	Bolt-On Cutting Edges	Teeth and Segments	Bolt-On Cutting Edges	Teeth and Segments
Capacity – Rated	m ³	6.10	6.10	6.40	6.40	7.00	7.00
	yd ³	8.00	8.00	8.25	8.25	9.25	9.25
Capacity – Rated at 110% Fill Factor	m ³	6.70	6.70	7.00	7.00	7.70	7.70
	yd ³	8.75	8.75	9.25	9.25	10.00	10.00
Width	mm	3602	3665	3602	3665	3602	3665
	ft/in	11'9"	12'0"	11'9"	12'0"	11'9"	12'0"
16† Dump Clearance at Maximum Lift and 45° Discharge	mm	3362	3194	3325	3156	3275	3106
	ft/in	11'0"	10'5"	10'10"	10'4"	10'8"	10'2"
17† Reach at Maximum Lift and 45° Discharge	mm	1569	1703	1602	1735	1644	1776
	ft/in	5'1"	5'7"	5'3"	5'8"	5'4"	5'9"
Reach at Level Lift Arm and Bucket Level	mm	3257	3468	3307	3518	3374	3585
	ft/in	10'8"	11'4"	10'10"	11'6"	11'0"	11'9"
A† Digging Depth	mm	119	119	119	119	119	119
	in	4.6"	4.6"	4.6"	4.6"	4.6"	4.6"
12† Overall Length	mm	10 298	10 533	10 348	10 583	10 415	10 650
	ft/in	33'10"	34'7"	34'0"	34'9"	34'3"	35'0"
B† Overall Height with Bucket at Maximum Lift	mm	6572	6572	6639	6639	6706	6706
	ft/in	21'7"	21'7"	21'10"	21'10"	22'0"	22'0"
Loader Clearance Circle Radius with Bucket at Carry Position	mm	7885	7993	7900	8009	7921	8030
	ft/in	25'11"	26'3"	26'0"	26'4"	26'0"	26'5"
Static Tipping Load, Straight (ISO)*	kg	26 088	25 989	25 977	25 878	25 738	25 638
	lb	57,498	57,281	57,254	57,035	56,726	56,506
Static Tipping Load, Straight (Rigid Tire)*	kg	27 499	27 400	27 388	27 288	27 158	27 057
	lb	60,609	60,389	60,365	60,144	59,857	59,634
Static Tipping Load, Articulated (ISO)*	kg	22 175	22 076	22 063	21 964	21 834	21 734
	lb	48,873	48,656	48,628	48,409	48,124	47,903
Static Tipping Load, Articulated (Rigid Tire)*	kg	23 592	23 493	23 482	23 381	23 261	23 160
	lb	51,998	51,779	51,754	51,533	51,269	51,046
Breakout Force (§)	kN	262	262	253	253	242	242
	lbf	59,039	58,891	57,055	56,907	54,561	54,413
Operating Weight*	kg	36 186	36 258	36 284	36 356	36 425	36 497
	lb	79,754	79,913	79,970	80,129	80,280	80,440

* Static tipping loads and operating weights shown are based on a machine configuration with Bridgestone 875/65R29 VLTS L4 radial tires, full fluids, operator, counterweight, ride control, cold start, roading fenders, Product Link, limited slip differentials, powertrain guard, secondary steering and sound suppression.

† Illustration shown with Dimension charts.

**Aggregate Handler configuration is not compatible with rock buckets, and high lift.

(§) Measured 102 mm (4") behind tip of cutting edge with bucket hinge pin as pivot point in accordance with SAE J732C.

(§) Specifications and ratings conform to all applicable standards recommended by the Society of Automotive Engineers, including SAE Standard J732C governing loader ratings.

(ISO) Full compliance to ISO 14397-1:2007 Sections 1 thru 6, which requires 2% verification between calculations and testing.

(Rigid Tire) Compliance to ISO 14397-1:2007 Sections 1 thru 5.

Other buckets are available and offerings vary by region. Consult your local Cat dealer for further details.

982 Wheel Loader Specifications

Operating Specifications – Buckets *(continued)*

Linkage		Aggregate Handler Linkage					
Bucket Type		General Purpose – Pin On – Abrasion				General Purpose – Pin On – HD	
Edge Type		Bolt-On Cutting Edges	Teeth and Segments	Bolt-On Cutting Edges	Teeth and Segments	Bolt-On Cutting Edges	Teeth and Segments
Capacity – Rated	m ³	7.50	7.50	8.20	8.20	7.00	7.00
	yd ³	9.75	9.75	10.75	10.75	9.25	9.25
Capacity – Rated at 110% Fill Factor	m ³	8.30	8.30	9.00	9.00	7.70	7.70
	yd ³	10.75	10.75	11.75	11.75	10.00	10.00
Width	mm	3602	3665	3602	3665	3646	3709
	ft/in	11'9"	12'0"	11'9"	12'0"	11'11"	12'2"
16 † Dump Clearance at Maximum Lift and 45° Discharge	mm	3224	3055	3151	2981	3282	3113
	ft/in	10'6"	10'0"	10'4"	9'9"	10'9"	10'2"
17 † Reach at Maximum Lift and 45° Discharge	mm	1689	1820	1755	1885	1652	1785
	ft/in	5'6"	5'11"	5'9"	6'2"	5'5"	5'10"
Reach at Level Lift Arm and Bucket Level	mm	3442	3653	3542	3753	3375	3586
	ft/in	11'3"	11'11"	11'7"	12'3"	11'0"	11'9"
A † Digging Depth	mm	119	119	119	119	109	109
	in	4.6"	4.6"	4.6"	4.6"	4.2"	4.2"
12 † Overall Length	mm	10 483	10 718	10 583	10 818	10 409	10 644
	ft/in	34'5"	35'2"	34'9"	35'6"	34'2"	35'0"
B † Overall Height with Bucket at Maximum Lift	mm	6773	6773	6868	6868	6706	6706
	ft/in	22'3"	22'3"	22'7"	22'7"	22'0"	22'0"
Loader Clearance Circle Radius with Bucket at Carry Position	mm	7943	8052	7974	8085	7937	8046
	ft/in	26'1"	26'5"	26'2"	26'7"	26'1"	26'5"
Static Tipping Load, Straight (ISO)*	kg	25 528	25 427	25 193	25 091	25 854	25 754
	lb	56,264	56,042	55,526	55,302	56,983	56,762
Static Tipping Load, Straight (Rigid Tire)*	kg	26 957	26 855	26 634	26 531	27 275	27 174
	lb	59,413	59,189	58,701	58,475	60,115	59,892
Static Tipping Load, Articulated (ISO)*	kg	21 636	21 535	21 317	21 215	21 946	21 846
	lb	47,686	47,464	46,983	46,759	48,370	48,149
Static Tipping Load, Articulated (Rigid Tire)*	kg	23 071	22 969	22 764	22 661	23 373	23 272
	lb	50,850	50,625	50,173	49,946	51,515	51,293
Breakout Force (§)	kN	232	231	218	217	243	242
	lbf	52,243	52,094	49,093	48,944	54,616	54,473
Operating Weight*	kg	36 531	36 603	36 716	36 788	36 277	36 349
	lb	80,514	80,673	80,922	81,081	79,954	80,114

* Static tipping loads and operating weights shown are based on a machine configuration with Bridgestone 875/65R29 VLTS L4 radial tires, full fluids, operator, counterweight, ride control, cold start, roading fenders, Product Link, limited slip differentials, powertrain guard, secondary steering and sound suppression.

† Illustration shown with Dimension charts.

** Aggregate Handler configuration is not compatible with rock buckets, and high lift.

(§) Measured 102 mm (4") behind tip of cutting edge with bucket hinge pin as pivot point in accordance with SAE J732C.

(§) Specifications and ratings conform to all applicable standards recommended by the Society of Automotive Engineers, including SAE Standard J732C governing loader ratings.

(ISO) Full compliance to ISO 14397-1:2007 Sections 1 thru 6, which requires 2% verification between calculations and testing.

(Rigid Tire) Compliance to ISO 14397-1:2007 Sections 1 thru 5.

Other buckets are available and offerings vary by region. Consult your local Cat dealer for further details.

982 Wheel Loader Specifications

Operating Specifications – Buckets (continued)

Linkage		Aggregate Handler Linkage			
Bucket Type		General Purpose – Hook-On – Fusion		General Purpose – Hook-On – Fusion – Abrasion	
Edge Type		Bolt-On Cutting Edges	Teeth and Segments	Bolt-On Cutting Edges	Teeth and Segments
Capacity – Rated	m ³	6.00	6.00	6.70	6.70
	yd ³	7.75	7.75	8.75	8.75
Capacity – Rated at 110% Fill Factor	m ³	6.60	6.60	7.40	7.40
	yd ³	8.75	8.75	9.75	9.75
Width	mm	3602	3698	3602	3698
	ft/in	11'9"	12'1"	11'9"	12'1"
16 † Dump Clearance at Maximum Lift and 45° Discharge	mm	3247	3059	3168	2979
	ft/in	10'7"	10'0"	10'4"	9'9"
17 † Reach at Maximum Lift and 45° Discharge	mm	1695	1853	1760	1916
	ft/in	5'6"	6'0"	5'9"	6'3"
Reach at Level Lift Arm and Bucket Level	mm	3426	3668	3530	3772
	ft/in	11'2"	12'0"	11'6"	12'4"
A † Digging Depth	mm	129	129	129	129
	in	5.1"	5.1"	5.1"	5.1"
12 † Overall Length	mm	10 473	10 739	10 577	10 843
	ft/in	34'5"	35'3"	34'9"	35'7"
B † Overall Height with Bucket at Maximum Lift	mm	6658	6658	6756	6756
	ft/in	21'11"	21'11"	22'2"	22'2"
Loader Clearance Circle Radius with Bucket at Carry Position	mm	7937	8074	7971	8109
	ft/in	26'1"	26'6"	26'2"	26'8"
Static Tipping Load, Straight (ISO)*	kg	23 986	23 895	23 618	23 529
	lb	52,865	52,665	52,055	51,859
Static Tipping Load, Straight (Rigid Tire)*	kg	25 325	25 233	24 968	24 878
	lb	55,816	55,615	55,030	54,833
Static Tipping Load, Articulated (ISO)*	kg	20 224	20 133	19 872	19 783
	lb	44,574	44,374	43,798	43,602
Static Tipping Load, Articulated (Rigid Tire)*	kg	21 574	21 482	21 232	21 142
	lb	47,549	47,347	46,796	46,598
Breakout Force (§)	kN	232	232	218	217
	lbf	52,324	52,164	48,982	48,825
Operating Weight*	kg	37 249	37 314	37 477	37 539
	lb	82,095	82,239	82,598	82,735

* Static tipping loads and operating weights shown are based on a machine configuration with Bridgestone 875/65R29 VLTS L4 radial tires, full fluids, operator, counterweight, ride control, cold start, roading fenders, Product Link, limited slip differentials, powertrain guard, secondary steering and sound suppression.

† Illustration shown with Dimension charts.

** Aggregate Handler configuration is not compatible with rock buckets, and high lift.

(§) Measured 102 mm (4") behind tip of cutting edge with bucket hinge pin as pivot point in accordance with SAE J732C.

(§) Specifications and ratings conform to all applicable standards recommended by the Society of Automotive Engineers, including SAE Standard J732C governing loader ratings.

(ISO) Full compliance to ISO 14397-1:2007 Sections 1 thru 6, which requires 2% verification between calculations and testing.

(Rigid Tire) Compliance to ISO 14397-1:2007 Sections 1 thru 5.

Other buckets are available and offerings vary by region. Consult your local Cat dealer for further details.

982 Wheel Loader Specifications

Operating Specifications – Buckets (continued)

Linkage		Aggregate Handler Linkage				
Bucket Type		Flat Floor – Pin-On		Flat Floor – Pin-On – HD		Flat Floor – Pin-On – Light Material (Coal)
		Bolt-On Cutting Edges	Teeth and Segments	Bolt-On Cutting Edges	Teeth and Segments	Bolt-On Cutting Edges
Capacity – Rated	m ³	6.40	6.40	7.00	7.00	8.80
	yd ³	8.25	8.25	9.25	9.25	11.50
Capacity – Rated at 110% Fill Factor	m ³	7.00	7.00	7.70	7.70	9.70
	yd ³	9.25	9.25	10.00	10.00	12.75
Width	mm	3602	3665	3602	3665	3639
	ft/in	11'9"	12'0"	11'9"	12'0"	11'11"
16† Dump Clearance at Maximum Lift and 45° Discharge	mm	3246	3069	3198	3021	3015
	ft/in	10'7"	10'0"	10'5"	9'10"	9'10"
17† Reach at Maximum Lift and 45° Discharge	mm	1516	1638	1581	1703	1743
	ft/in	4'11"	5'4"	5'2"	5'7"	5'8"
Reach at Level Lift Arm and Bucket Level	mm	3321	3532	3401	3612	3645
	ft/in	10'10"	11'7"	11'1"	11'10"	11'11"
A† Digging Depth	mm	119	119	107	107	122
	in	4.6"	4.6"	4.2"	4.2"	4.8"
12† Overall Length	mm	10 362	10 597	10 434	10 669	10 687
	ft/in	34'0"	34'10"	34'3"	35'1"	35'1"
B† Overall Height with Bucket at Maximum Lift	mm	6623	6623	6707	6707	6960
	ft/in	21'9"	21'9"	22'1"	22'1"	22'10"
Loader Clearance Circle Radius with Bucket at Carry Position	mm	7905	8014	7925	8035	8025
	ft/in	26'0"	26'4"	26'0"	26'5"	26'4"
Static Tipping Load, Straight (ISO)*	kg	25 569	25 470	24 448	24 349	24 581
	lb	56,354	56,137	53,884	53,665	54,177
Static Tipping Load, Straight (Rigid Tire)*	kg	26 937	26 838	25 822	25 722	25 991
	lb	59,369	59,151	56,913	56,693	57,284
Static Tipping Load, Articulated (ISO)*	kg	21 712	21 613	20 596	20 497	20 775
	lb	47,853	47,637	45,394	45,175	45,790
Static Tipping Load, Articulated (Rigid Tire)*	kg	23 089	22 990	21 979	21 879	22 194
	lb	50,888	50,670	48,442	48,222	48,916
Breakout Force (§)	kN	251	250	235	234	205
	lbf	56,505	56,357	52,804	52,662	46,188
Operating Weight*	kg	36 312	36 384	37 297	37 369	36 823
	lb	80,031	80,191	82,202	82,362	81,156

* Static tipping loads and operating weights shown are based on a machine configuration with Bridgestone 875/65R29 VLTS L4 radial tires, full fluids, operator, counterweight, ride control, cold start, roading fenders, Product Link, limited slip differentials, powertrain guard, secondary steering and sound suppression.

† Illustration shown with Dimension charts.

** Aggregate Handler configuration is not compatible with rock buckets, and high lift.

(§) Measured 102 mm (4") behind tip of cutting edge with bucket hinge pin as pivot point in accordance with SAE J732C.

(§) Specifications and ratings conform to all applicable standards recommended by the Society of Automotive Engineers, including SAE Standard J732C governing loader ratings.

(ISO) Full compliance to ISO 14397-1:2007 Sections 1 thru 6, which requires 2% verification between calculations and testing.

(Rigid Tire) Compliance to ISO 14397-1:2007 Sections 1 thru 5.

Other buckets are available and offerings vary by region. Consult your local Cat dealer for further details.

982 Wheel Loader Specifications

Fork Specifications

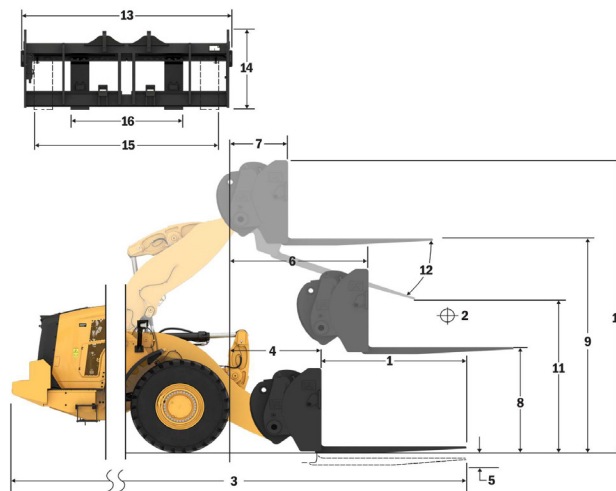
Fork Specifications

1	Tine Length	mm	1829
		in	72.0
2	Load Center	mm	914
		in	36.0
	Static Tipping Load - Straight (Forks Level)	kg	17989
		lbs	39648
	Static Tipping Load - Articulated (Forks Level)	kg	15437
		lbs	34023
	Rated Load (SAE J1197 - 50% FTSTL)	kg	7719
		lbs	17012
	Rated Load (CEN EN 474-3 Rough Terrain - 60% FTSTL)	kg	9262
		lbs	20414
	Rated Load (CEN EN 474-3 Firm and Level Ground - 80% FTSTL)	kg	12350
		lbs	27219
3	Maximum Overall Length	mm	10883
		in	428.5
4	Reach with Forks at Ground Level	mm	1591
		in	62.6
5	*Ground to Bottom of Tine at Minimum Height and Fork Level	mm	-126
		in	-4.9
6	Reach with Arms Horizontal and Forks Level	mm	2073
		in	81.6
7	Reach with Fork at Maximum Height	mm	1028
		in	40.5
8	Ground to Top of Tine with Arms Horizontal and Fork Level	mm	1959
		in	77.1
9	Ground to Top of Tine at Maximum Height and Fork Level	mm	4479
		in	176.4
10	Overall Height of Fork at Full Lift (top of carriage to ground)	mm	5523
		in	217.4
11	Clearance at Full Lift and Max Dump	mm	2678
		in	105.4
12	Max Discharge Angle from Horizontal	deg	52
13	Overall Carriage Width	mm	2821
		in	111.1
14	Overall Carriage Height	mm	1129
		in	44.4
15	Outside Tine Width (max spread)	mm	2627
		in	103.4
16	Outside Tine Width (min spread)	mm	747
		in	29.4
	Tine Width (single tine)	mm	250.0
		in	9.8
	Tine Thickness	mm	85.0
		in	3.3
	Tine Capacity	kg	18700
		lbs	41215
	Operating Weight	kg	34496
		lbs	76029

*Negative values indicate below grade

982 STD Construction Fork, HD, FUSION

108" Carriage 72" Tine
523-4199 523-4200

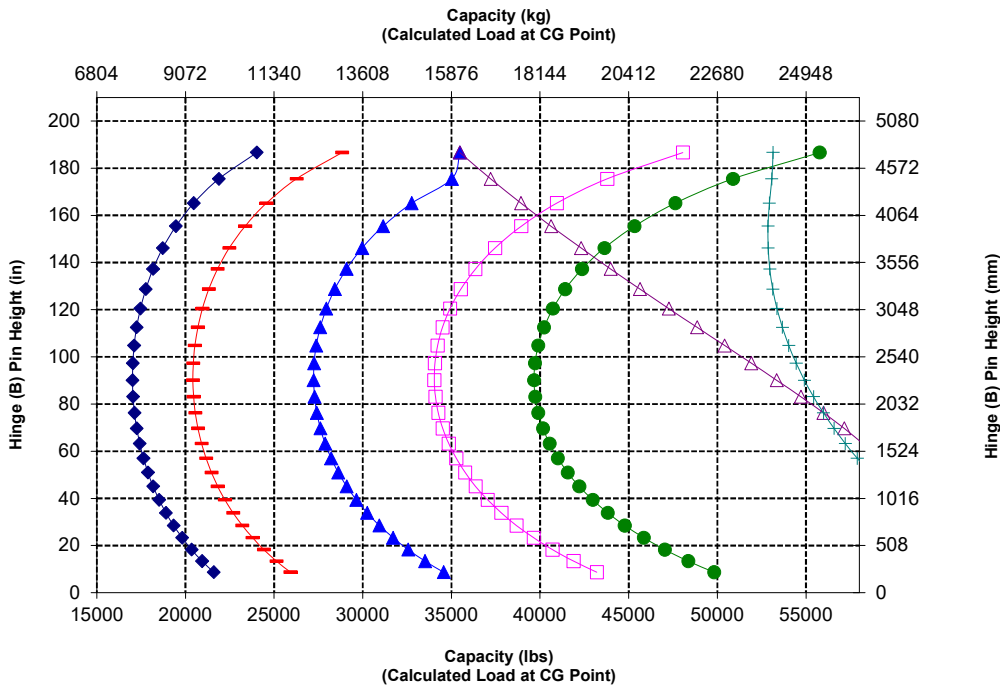


NOTE: Static tipping loads and operating weight are based on the following loader configuration: Bridgestone® VLTS L4 Tires, Air Conditioning, Ride Control, Powertrain Guard, Full Fluids, Fuel Tank, Coolant, Lubricants, and Operator.

Specifications and ratings conform to the following standards: SAE® J1197, ISO 14397-1, CEN** EN 474-3.

The rated operating load for a loader equipped with a pallet fork is determined by:
SAE J1197: 50% of full turn static tipping load or hydraulic limit.
CEN EN 474-3: 60% of full turn static tipping load on rough terrain or hydraulic limit.
CEN EN 474-3: 80% of full turn static tipping load on firm and level ground or hydraulic limit.

*SAE - Society of Automotive Engineers
**CEN - European Committee for Standardization



WARNING: Do not exceed tine load capacity. Individual tine capacity is stamped on the side of each tine.

982 Wheel Loader Specifications

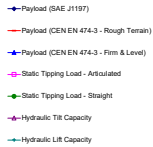
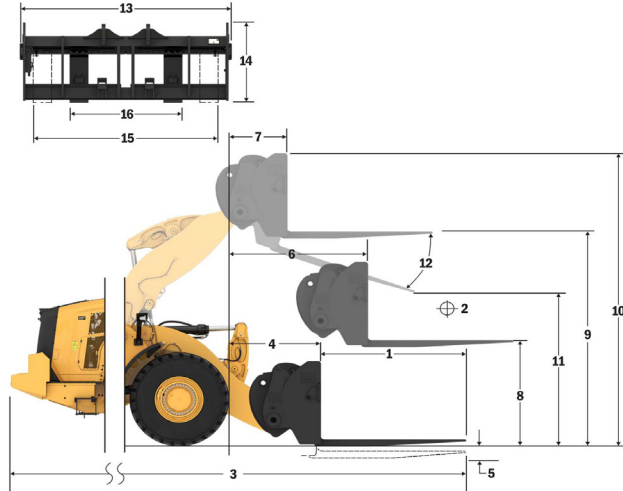
Fork Specifications

Fork Specifications

1	Tine Length	mm	2134
		in	84.0
2	Load Center	mm	1067
		in	42.0
	Static Tipping Load - Straight (Forks Level)	kg	17217
		lbs	37947
	Static Tipping Load - Articulated (Forks Level)	kg	14759
		lbs	32530
	Rated Load (SAE J1197 - 50% FTSTL)	kg	7380
		lbs	16265
	Rated Load (CEN EN 474-3 Rough Terrain - 60% FTSTL)	kg	8856
		lbs	19518
	Rated Load (CEN EN 474-3 Firm and Level Ground - 80% FTSTL)	kg	11808
		lbs	26024
3	Maximum Overall Length	mm	11191
		in	440.6
4	Reach with Forks at Ground Level	mm	1594
		in	62.7
5	*Ground to Bottom of Tine at Minimum Height and Fork Level	mm	-126
		in	-4.9
6	Reach with Arms Horizontal and Forks Level	mm	2073
		in	81.6
7	Reach with Fork at Maximum Height	mm	1028
		in	40.5
8	Ground to Top of Tine with Arms Horizontal and Fork Level	mm	1964
		in	77.3
9	Ground to Top of Tine at Maximum Height and Fork Level	mm	4484
		in	176.6
10	Overall Height of Fork at Full Lift (top of carriage to ground)	mm	5523
		in	217.4
11	Clearance at Full Lift and Max Dump	mm	2438
		in	96.0
12	Max Discharge Angle from Horizontal	deg	52
13	Overall Carriage Width	mm	2821
		in	111.1
14	Overall Carriage Height	mm	1129
		in	44.4
15	Outside Tine Width (max spread)	mm	2627
		in	103.4
16	Outside Tine Width (min spread)	mm	747
		in	29.4
	Tine Width (single tine)	mm	250.0
		in	9.8
	Tine Thickness	mm	90.0
		in	3.5
	Tine Capacity	kg	17729
		lbs	39075
	Operating Weight	kg	34598
		lbs	76254

*Negative values indicate below grade

982 STD Construction Fork, HD, FUSION 108" Carriage 84" Tine 523-4199 523-4201

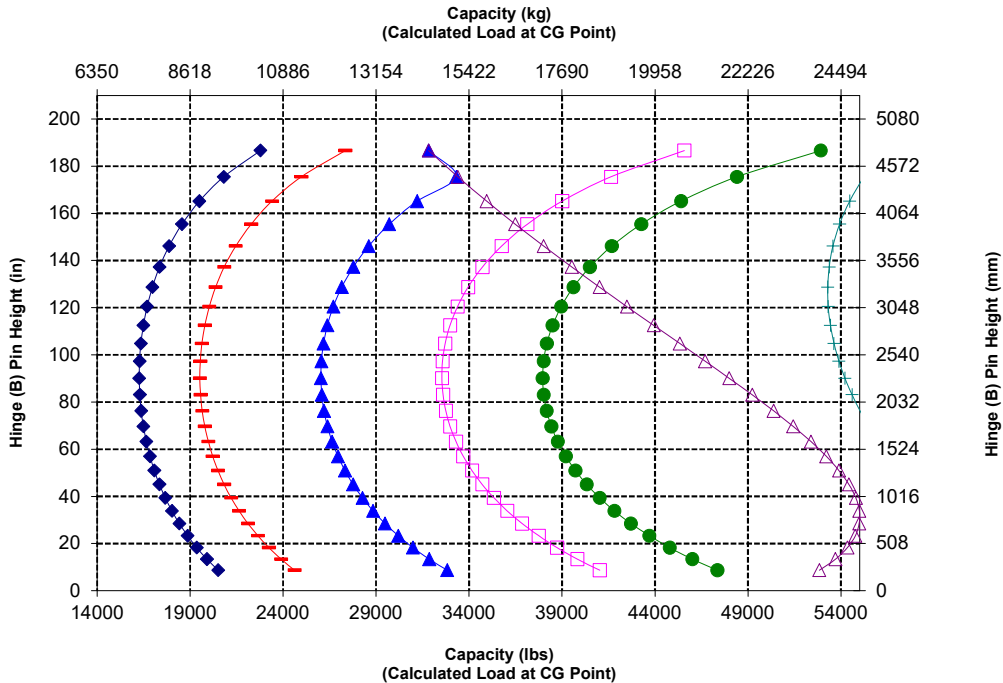


NOTE: Static tipping loads and operating weight are based on the following loader configuration: Bridgestone® VLTS L4 Tires, Air Conditioning, Ride Control, Powertrain Guard, Full Fluids, Fuel Tank, Coolant, Lubricants, and Operator.

Specifications and ratings conform to the following standards: SAE® J1197, ISO 14397-1, CEN® EN 474-3.

The rated operating load for a loader equipped with a pallet fork is determined by:
SAE J1197: 50% of full turn static tipping load or hydraulic limit.
CEN EN 474-3: 60% of full turn static tipping load on rough terrain or hydraulic limit.
CEN EN 474-3: 80% of full turn static tipping load on firm and level ground or hydraulic limit.

*SAE - Society of Automotive Engineers
**CEN - European Committee for Standardization



WARNING: Do not exceed tine load capacity. Individual tine capacity is stamped on the side of each tine.

982 Wheel Loader Specifications

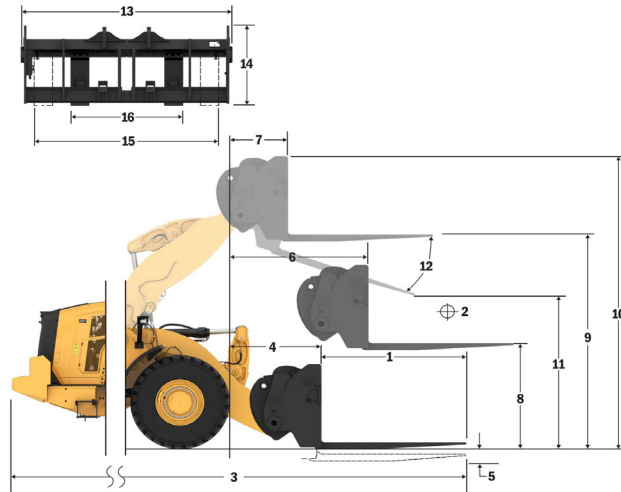
Fork Specifications

Fork Specifications

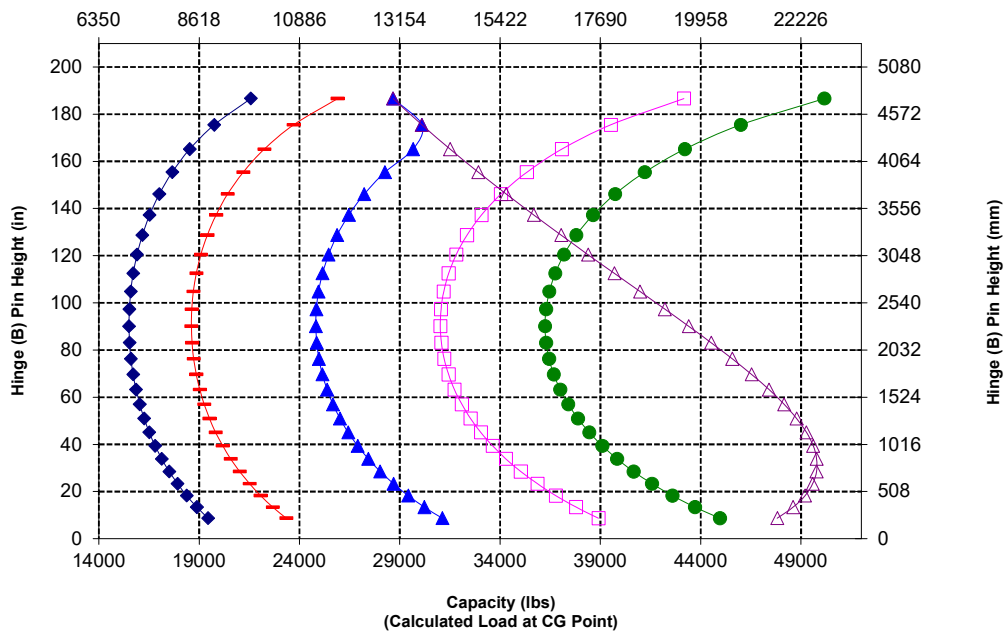
1	Tine Length	mm	2438
		in	96.0
2	Load Center	mm	1219
		in	48.0
	Static Tipping Load - Straight (Forks Level)	kg	16439
		lbs	36232
	Static Tipping Load - Articulated (Forks Level)	kg	14070
		lbs	31011
	Rated Load (SAE J1197 - 50% FTSTL)	kg	7035
		lbs	15506
	Rated Load (CEN EN 474-3 Rough Terrain - 60% FTSTL)	kg	8442
		lbs	18607
	Rated Load (CEN EN 474-3 Firm and Level Ground - 80% FTSTL)	kg	11256
		lbs	24809
3	Maximum Overall Length	mm	11500
		in	452.7
4	Reach with Forks at Ground Level	mm	1598
		in	62.9
5	*Ground to Bottom of Tine at Minimum Height and Fork Level	mm	-124
		in	-4.9
6	Reach with Arms Horizontal and Forks Level	mm	2078
		in	81.8
7	Reach with Fork at Maximum Height	mm	1033
		in	40.7
8	Ground to Top of Tine with Arms Horizontal and Fork Level	mm	1966
		in	77.4
9	Ground to Top of Tine at Maximum Height and Fork Level	mm	4486
		in	176.6
10	Overall Height of Fork at Full Lift (top of carriage to ground)	mm	5523
		in	217.4
11	Clearance at Full Lift and Max Dump	mm	2196
		in	86.5
12	Max Discharge Angle from Horizontal	deg	52
13	Overall Carriage Width	mm	2821
		in	111.1
14	Overall Carriage Height	mm	1127
		in	44.4
15	Outside Tine Width (max spread)	mm	2629
		in	103.5
16	Outside Tine Width (min spread)	mm	747
		in	29.4
	Tine Width (single tine)	mm	250.0
		in	9.8
	Tine Thickness	mm	90.0
		in	3.5
	Tine Capacity	kg	15750
		lbs	34713
	Operating Weight	kg	34749
		lbs	76587

*Negative values indicate below grade

982 STD Construction Fork, HD, FUSION 108" Carriage 96" Tine 523-4199 523-4202



Capacity (kg)
(Calculated Load at CG Point)



WARNING: Do not exceed tine load capacity. Individual tine capacity is stamped on the side of each tine.

982 Wheel Loader Specifications

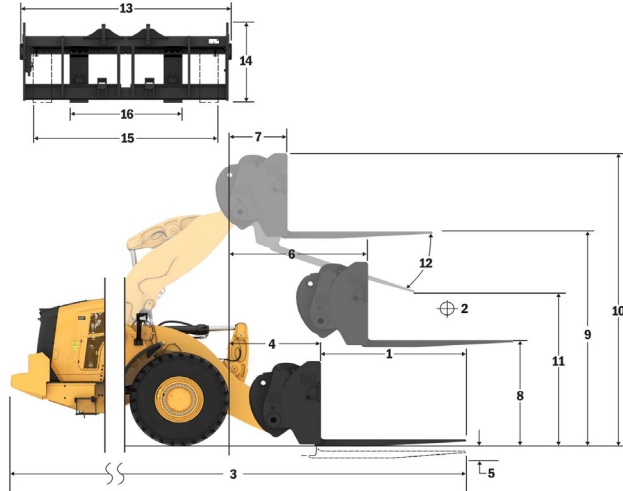
Fork Specifications

Fork Specifications

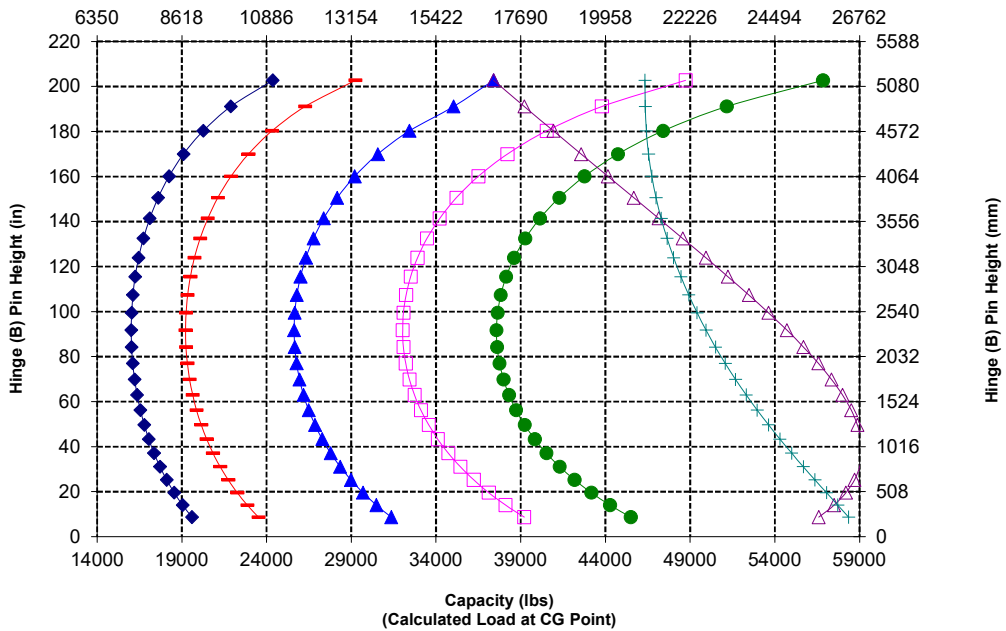
1	Tine Length	mm	1829
		in	72.0
2	Load Center	mm	914
		in	36.0
	Static Tipping Load - Straight (Forks Level)	kg	17040
		lbs	37557
	Static Tipping Load - Articulated (Forks Level)	kg	14529
		lbs	32021
	Rated Load (SAE J1197 - 50% FTSTL)	kg	7264
		lbs	16011
	Rated Load (CEN EN 474-3 Rough Terrain - 60% FTSTL)	kg	8717
		lbs	19213
	Rated Load (CEN EN 474-3 Firm and Level Ground - 80% FTSTL)	kg	11623
		lbs	25617
3	Maximum Overall Length	mm	11385
		in	448.2
4	Reach with Forks at Ground Level	mm	1979
		in	77.9
5	*Ground to Bottom of Tine at Minimum Height and Fork Level	mm	-126
		in	-5.0
6	Reach with Arms Horizontal and Forks Level	mm	2413
		in	95.0
7	Reach with Fork at Maximum Height	mm	1089
		in	42.9
8	Ground to Top of Tine with Arms Horizontal and Fork Level	mm	1959
		in	77.1
9	Ground to Top of Tine at Maximum Height and Fork Level	mm	4888
		in	192.5
10	Overall Height of Fork at Full Lift (top of carriage to ground)	mm	5932
		in	233.5
11	Clearance at Full Lift and Max Dump	mm	3087
		in	121.5
12	Max Discharge Angle from Horizontal	deg	52
13	Overall Carriage Width	mm	2821
		in	111.1
14	Overall Carriage Height	mm	1129
		in	44.4
15	Outside Tine Width (max spread)	mm	2627
		in	103.4
16	Outside Tine Width (min spread)	mm	747
		in	29.4
	Tine Width (single tine)	mm	250.0
		in	9.8
	Tine Thickness	mm	85.0
		in	3.3
	Tine Capacity	kg	18700
		lbs	41215
	Operating Weight	kg	35586
		lbs	78431

*Negative values indicate below grade

982 HL Construction Fork, HD, FUSION 108" Carriage 72" Tine 523-4199 523-4200



Capacity (kg)
(Calculated Load at CG Point)



WARNING: Do not exceed tine load capacity. Individual tine capacity is stamped on the side of each tine.

982 Wheel Loader Specifications

Fork Specifications

Fork Specifications

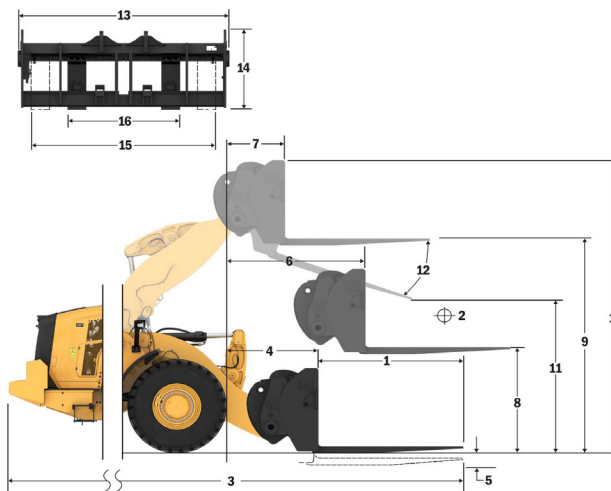
1	Tine Length	mm	2134
		in	84.0
2	Load Center	mm	1067
		in	42.0
	Static Tipping Load - Straight (Forks Level)	kg	16351
		lbs	36038
	Static Tipping Load - Articulated (Forks Level)	kg	13926
		lbs	30692
	Rated Load (SAE J1197 - 50% FTSTL)	kg	6963
		lbs	15346
	Rated Load (CEN EN 474-3 Rough Terrain - 60% FTSTL)	kg	8355
		lbs	18415
	Rated Load (CEN EN 474-3 Firm and Level Ground - 80% FTSTL)	kg	11141
		lbs	24554
3	Maximum Overall Length	mm	11692
		in	460.3
4	Reach with Forks at Ground Level	mm	1982
		in	78.0
5	*Ground to Bottom of Tine at Minimum Height and Fork Level	mm	-126
		in	-5.0
6	Reach with Arms Horizontal and Forks Level	mm	2413
		in	95.0
7	Reach with Fork at Maximum Height	mm	1089
		in	42.9
8	Ground to Top of Tine with Arms Horizontal and Fork Level	mm	1964
		in	77.3
9	Ground to Top of Tine at Maximum Height and Fork Level	mm	4893
		in	192.7
10	Overall Height of Fork at Full Lift (top of carriage to ground)	mm	5932
		in	233.5
11	Clearance at Full Lift and Max Dump	mm	2848
		in	112.1
12	Max Discharge Angle from Horizontal	deg	52
13	Overall Carriage Width	mm	2821
		in	111.1
14	Overall Carriage Height	mm	1129
		in	44.4
15	Outside Tine Width (max spread)	mm	2627
		in	103.4
16	Outside Tine Width (min spread)	mm	747
		in	29.4
	Tine Width (single tine)	mm	250.0
		in	9.8
	Tine Thickness	mm	90.0
		in	3.5
	Tine Capacity	kg	17729
		lbs	39075
	Operating Weight	kg	35688
		lbs	78656

*Negative values indicate below grade

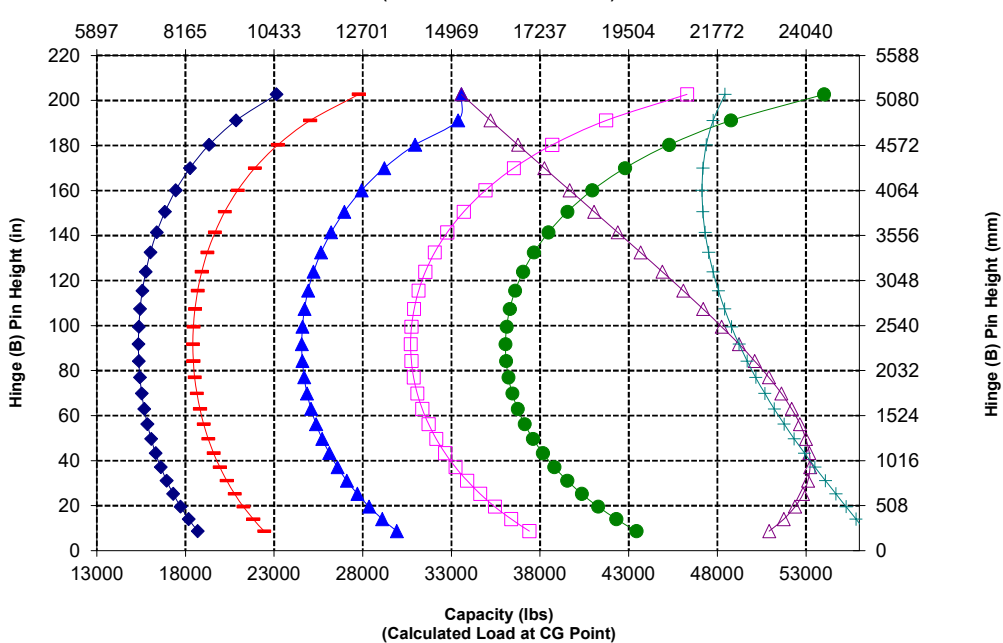
982 HL Construction Fork, HD, FUSION

108" Carriage
523-4199

84" Tine
523-4201



Capacity (kg)
(Calculated Load at CG Point)



NOTE: Static tipping loads and operating weight are based on the following loader configuration: Bridgestone® VLTS L4 Tires, Air Conditioning, Ride Control, Powertrain Guard, Full Fluids, Fuel Tank, Coolant, Lubricants, and Operator.

Specifications and ratings conform to the following standards: SAE® J1197, ISO 14397-1, CEN** EN 474-3.

The rated operating load for a loader equipped with a pallet fork is determined by:
SAE J1197: 50% of full turn static tipping load or hydraulic limit.
CEN EN 474-3: 60% of full turn static tipping load on rough terrain or hydraulic limit.
CEN EN 474-3: 80% of full turn static tipping load on firm and level ground or hydraulic limit.

*SAE - Society of Automotive Engineers
**CEN - European Committee for Standardization



WARNING: Do not exceed tine load capacity. Individual tine capacity is stamped on the side of each tine.

982 Wheel Loader Specifications

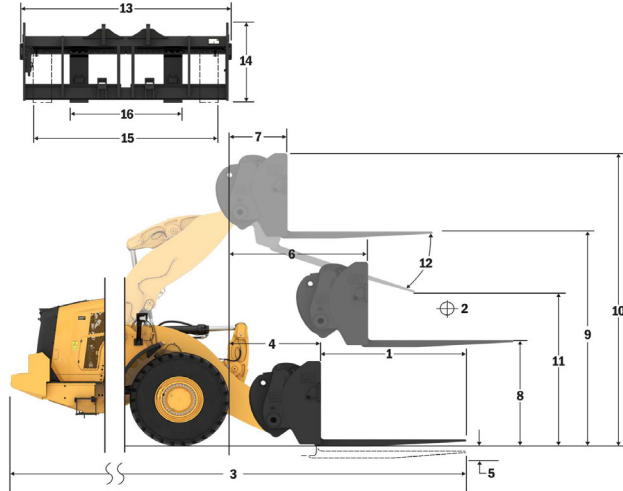
Fork Specifications

Fork Specifications

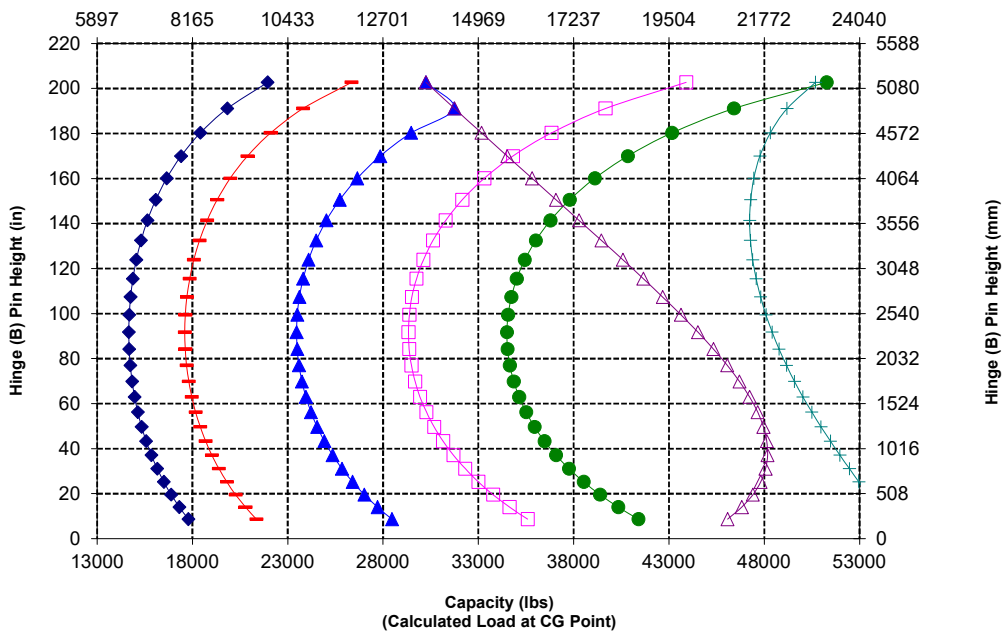
1	Tine Length	mm	2438
		in	96.0
2	Load Center	mm	1219
		in	48.0
	Static Tipping Load - Straight (Forks Level)	kg	15648
		lbs	34488
	Static Tipping Load - Articulated (Forks Level)	kg	13304
		lbs	29322
	Rated Load (SAE J1197 - 50% FTSTL)	kg	6652
		lbs	14661
	Rated Load (CEN EN 474-3 Rough Terrain - 60% FTSTL)	kg	7982
		lbs	17593
	Rated Load (CEN EN 474-3 Firm and Level Ground - 80% FTSTL)	kg	10643
		lbs	23457
3	Maximum Overall Length	mm	12001
		in	472.5
4	Reach with Forks at Ground Level	mm	1986
		in	78.2
5	*Ground to Bottom of Tine at Minimum Height and Fork Level	mm	-124
		in	-4.9
6	Reach with Arms Horizontal and Forks Level	mm	2418
		in	95.2
7	Reach with Fork at Maximum Height	mm	1094
		in	43.1
8	Ground to Top of Tine with Arms Horizontal and Fork Level	mm	1966
		in	77.4
9	Ground to Top of Tine at Maximum Height and Fork Level	mm	4895
		in	192.7
10	Overall Height of Fork at Full Lift (top of carriage to ground)	mm	5932
		in	233.5
11	Clearance at Full Lift and Max Dump	mm	2605
		in	102.6
12	Max Discharge Angle from Horizontal	deg	52
13	Overall Carriage Width	mm	2821
		in	111.1
14	Overall Carriage Height	mm	1127
		in	44.4
15	Outside Tine Width (max spread)	mm	2629
		in	103.5
	Tine Width (single tine)	mm	250.0
		in	9.8
	Tine Thickness	mm	90.0
		in	3.5
	Tine Capacity	kg	15750
		lbs	34713
	Operating Weight	kg	35839
		lbs	78989

*Negative values indicate below grade

982 HL Construction Fork, HD, FUSION 108" Carriage 96" Tine 523-4199 523-4202



Capacity (kg)
(Calculated Load at CG Point)



WARNING: Do not exceed tine load capacity. Individual tine capacity is stamped on the side of each tine.

982 Wheel Loader Specifications

Fork Specifications

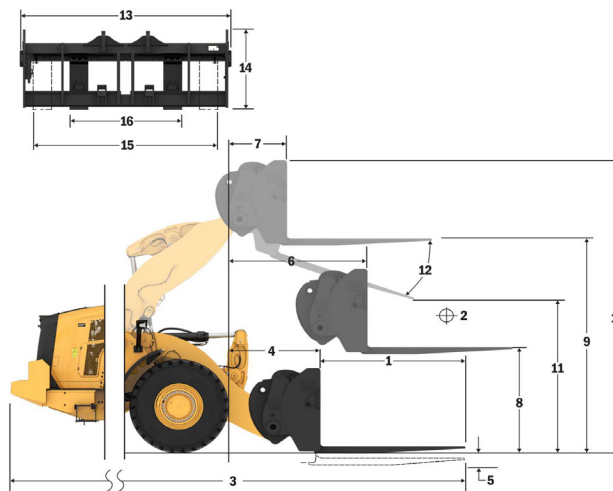
Fork Specifications

1	Tine Length	mm	1829
		in	72.0
2	Load Center	mm	914
		in	36.0
	Static Tipping Load - Straight (Forks Level)	kg	18988
		lbs	41849
	Static Tipping Load - Articulated (Forks Level)	kg	16261
		lbs	35840
	Rated Load (SAE J1197 - 50% FTSTL)	kg	8131
		lbs	17920
	Rated Load (CEN EN 474-3 Rough Terrain - 60% FTSTL)	kg	9757
		lbs	21504
	Rated Load (CEN EN 474-3 Firm and Level Ground - 80% FTSTL)	kg	13009
		lbs	28672
3	Maximum Overall Length	mm	10996
		in	432.9
4	Reach with Forks at Ground Level	mm	1591
		in	62.6
5	*Ground to Bottom of Tine at Minimum Height and Fork Level	mm	-126
		in	-4.9
6	Reach with Arms Horizontal and Forks Level	mm	2073
		in	81.6
7	Reach with Fork at Maximum Height	mm	1028
		in	40.5
8	Ground to Top of Tine with Arms Horizontal and Fork Level	mm	1959
		in	77.1
9	Ground to Top of Tine at Maximum Height and Fork Level	mm	4479
		in	176.4
10	Overall Height of Fork at Full Lift (top of carriage to ground)	mm	5523
		in	217.4
11	Clearance at Full Lift and Max Dump	mm	2678
		in	105.4
12	Max Discharge Angle from Horizontal	deg	52
13	Overall Carriage Width	mm	2821
		in	111.1
14	Overall Carriage Height	mm	1129
		in	44.4
15	Outside Tine Width (max spread)	mm	2627
		in	103.4
16	Outside Tine Width (min spread)	mm	747
		in	29.4
	Tine Width (single tine)	mm	250.0
		in	9.8
	Tine Thickness	mm	85.0
		in	3.3
	Tine Capacity	kg	18700
		lbs	41215
	Operating Weight	kg	35139
		lbs	77447

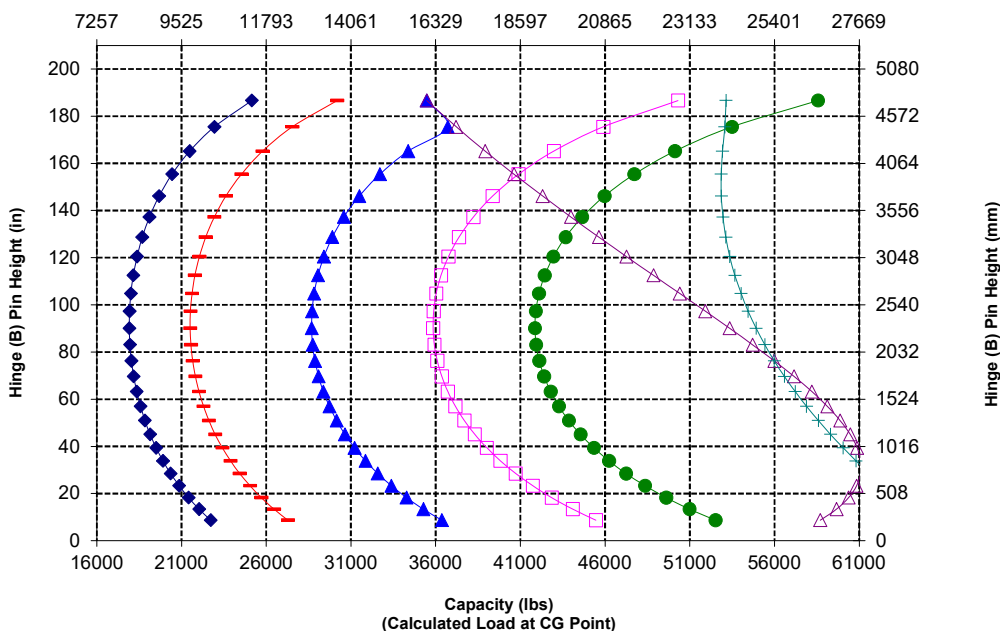
*Negative values indicate below grade

982 AGG Construction Fork, HD, FUSION

108" Carriage 72" Tine
523-4199 523-4200



Capacity (kg)
(Calculated Load at CG Point)



NOTE: Static tipping loads and operating weight are based on the following loader configuration: Bridgestone® VLTS L4 Tires, Air Conditioning, Ride Control, Powertrain Guard, Full Fluids, Fuel Tank, Coolant, Lubricants, and Operator.

Specifications and ratings conform to the following standards: SAE® J1197, ISO 14397-1, CEN** EN 474-3.

The rated operating load for a loader equipped with a pallet fork is determined by:
SAE J1197: 50% of full turn static tipping load or hydraulic limit.
CEN EN 474-3: 60% of full turn static tipping load on rough terrain or hydraulic limit.
CEN EN 474-3: 80% of full turn static tipping load on firm and level ground or hydraulic limit.

*SAE - Society of Automotive Engineers
**CEN - European Committee for Standardization



WARNING: Do not exceed tine load capacity. Individual tine capacity is stamped on the side of each tine.

982 Wheel Loader Specifications

Fork Specifications

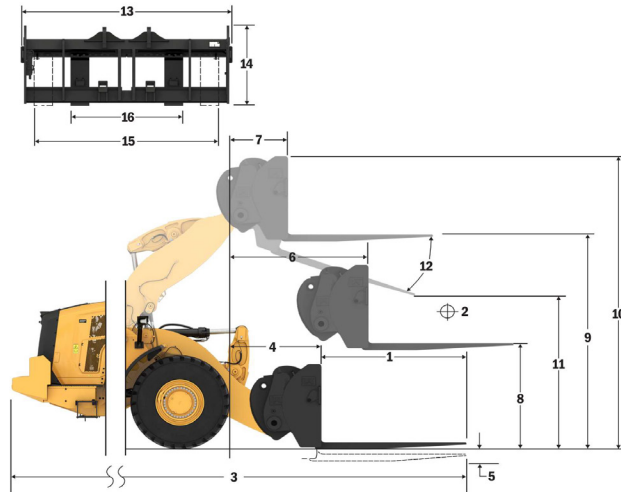
Fork Specifications

1	Tine Length	mm	2134
		in	84.0
2	Load Center	mm	1067
		in	42.0
	Static Tipping Load - Straight (Forks Level)	kg	18180
		lbs	40068
	Static Tipping Load - Articulated (Forks Level)	kg	15554
		lbs	34281
	Rated Load (SAE J1197 - 50% FTSTL)	kg	7777
		lbs	17141
	Rated Load (CEN EN 474-3 Rough Terrain - 60% FTSTL)	kg	9332
		lbs	20569
	Rated Load (CEN EN 474-3 Firm and Level Ground - 80% FTSTL)	kg	12443
		lbs	27425
3	Maximum Overall Length	mm	11304
		in	445.0
4	Reach with Forks at Ground Level	mm	1594
		in	62.7
5	*Ground to Bottom of Tine at Minimum Height and Fork Level	mm	-126
		in	-4.9
6	Reach with Arms Horizontal and Forks Level	mm	2073
		in	81.6
7	Reach with Fork at Maximum Height	mm	1028
		in	40.5
8	Ground to Top of Tine with Arms Horizontal and Fork Level	mm	1964
		in	77.3
9	Ground to Top of Tine at Maximum Height and Fork Level	mm	4484
		in	176.6
10	Overall Height of Fork at Full Lift (top of carriage to ground)	mm	5523
		in	217.4
11	Clearance at Full Lift and Max Dump	mm	2438
		in	96.0
12	Max Discharge Angle from Horizontal	deg	52
13	Overall Carriage Width	mm	2821
		in	111.1
14	Overall Carriage Height	mm	1129
		in	44.4
15	Outside Tine Width (max spread)	mm	2627
		in	103.4
16	Outside Tine Width (min spread)	mm	747
		in	29.4
	Tine Width (single tine)	mm	250.0
		in	9.8
	Tine Thickness	mm	90.0
		in	3.5
	Tine Capacity	kg	17729
		lbs	39075
	Operating Weight	kg	35241
		lbs	77671

*Negative values indicate below grade

982 AGG Construction Fork, HD, FUSION

108" Carriage 84" Tine
523-4199 523-4201

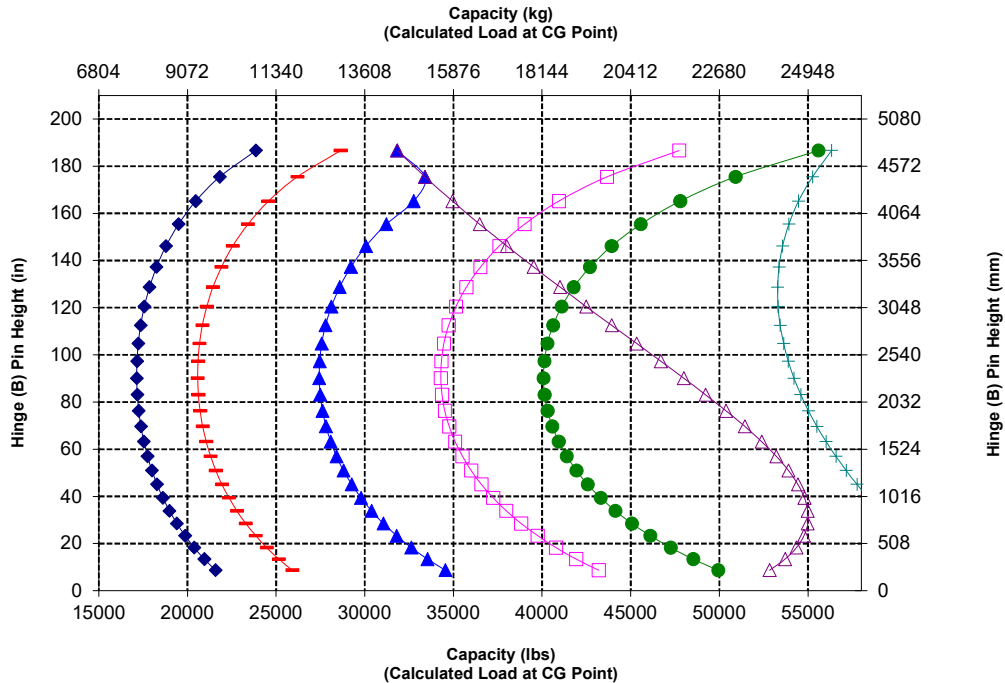


NOTE: Static tipping loads and operating weight are based on the following loader configuration: Bridgestone® VLTS L4 Tires, Air Conditioning, Ride Control, Powertrain Guard, Full Fluids, Fuel Tank, Coolant, Lubricants, and Operator.

Specifications and ratings conform to the following standards: SAE® J1197, ISO 14397-1, CEN** EN 474-3.

The rated operating load for a loader equipped with a pallet fork is determined by:
SAE J1197: 50% of full turn static tipping load or hydraulic limit.
CEN EN 474-3: 60% of full turn static tipping load on rough terrain or hydraulic limit.
CEN EN 474-3: 80% of full turn static tipping load on firm and level ground or hydraulic limit.

*SAE - Society of Automotive Engineers
**CEN - European Committee for Standardization



WARNING: Do not exceed tine load capacity. Individual tine capacity is stamped on the side of each tine.

982 Wheel Loader Specifications

Fork Specifications

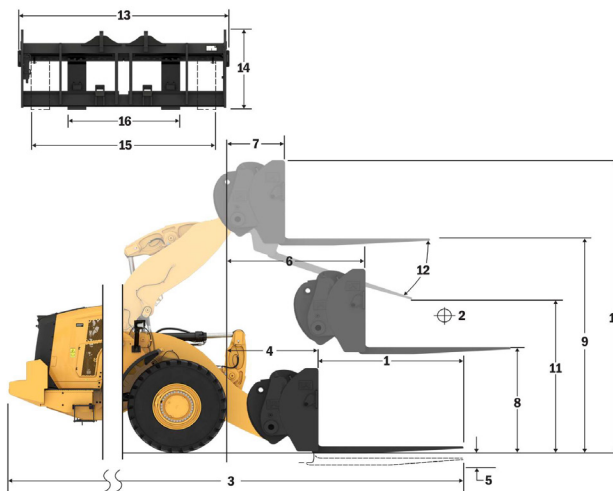
Fork Specifications

1	Tine Length	mm	2438
		in	96.0
2	Load Center	mm	1219
		in	48.0
	Static Tipping Load - Straight (Forks Level)	kg	17367
		lbs	38277
	Static Tipping Load - Articulated (Forks Level)	kg	14837
		lbs	32701
	Rated Load (SAE J1197 - 50% FTSTL)	kg	7418
		lbs	16350
	Rated Load (CEN EN 474-3 Rough Terrain - 60% FTSTL)	kg	8902
		lbs	19620
	Rated Load (CEN EN 474-3 Firm and Level Ground - 80% FTSTL)	kg	11870
		lbs	26160
3	Maximum Overall Length	mm	11613
		in	457.2
4	Reach with Forks at Ground Level	mm	1598
		in	62.9
5	*Ground to Bottom of Tine at Minimum Height and Fork Level	mm	-124
		in	-4.9
6	Reach with Arms Horizontal and Forks Level	mm	2078
		in	81.8
7	Reach with Fork at Maximum Height	mm	1033
		in	40.7
8	Ground to Top of Tine with Arms Horizontal and Fork Level	mm	1966
		in	77.4
9	Ground to Top of Tine at Maximum Height and Fork Level	mm	4486
		in	176.6
10	Overall Height of Fork at Full Lift (top of carriage to ground)	mm	5523
		in	217.4
11	Clearance at Full Lift and Max Dump	mm	2196
		in	86.5
12	Max Discharge Angle from Horizontal	deg	52
13	Overall Carriage Width	mm	2821
		in	111.1
14	Overall Carriage Height	mm	1127
		in	44.4
15	Outside Tine Width (max spread)	mm	2629
		in	103.5
16	Outside Tine Width (min spread)	mm	747
		in	29.4
	Tine Width (single tine)	mm	250.0
		in	9.8
	Tine Thickness	mm	90.0
		in	3.5
	Tine Capacity	kg	15750
		lbs	34713
	Operating Weight	kg	35392
		lbs	78004

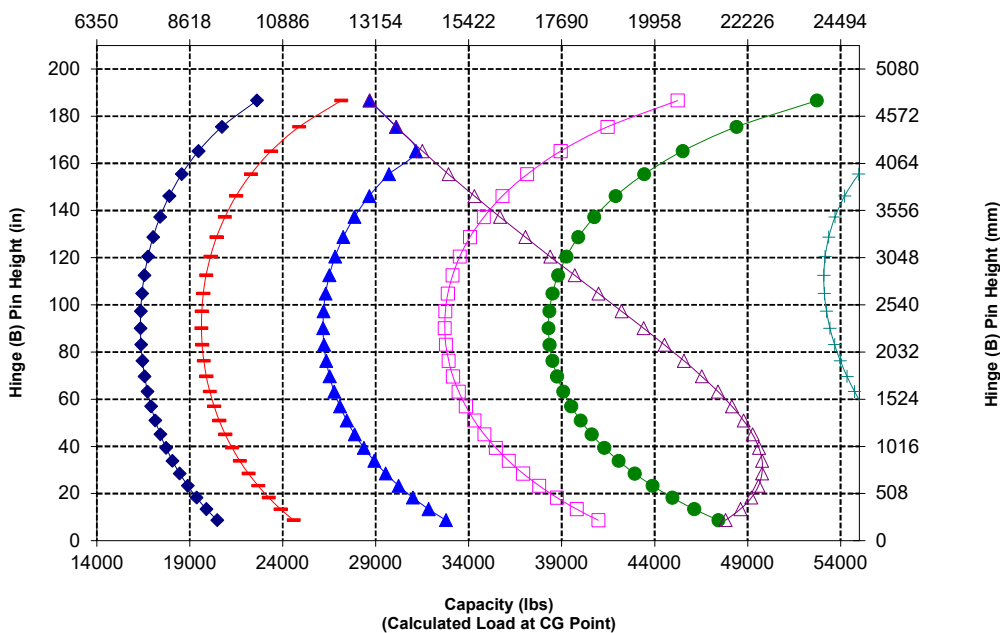
*Negative values indicate below grade

982 AGG Construction Fork, HD, FUSION

108" Carriage 96" Tine
523-4199 523-4202



Capacity (kg)
(Calculated Load at CG Point)



WARNING: Do not exceed tine load capacity. Individual tine capacity is stamped on the side of each tine.

982 Wheel Loader Specifications

Standard and Optional Equipment

Standard and optional equipment may vary. Consult your Cat dealer for details.

	Standard	Optional		Standard	Optional
OPERATOR ENVIRONMENT			HYDRAULICS		
Cab, pressurized, sound suppression	✓		Implement system, load sensing with variable displacement piston pump	✓	
Door, remote opening system	✓		Steering system, load sensing with dedicated variable displacement piston pump	✓	
EH implement controls, parking brake	✓		Ride control, dual accumulators	✓	
Footrest		✓	3 rd auxiliary function with ride control		✓
Steering, joystick	✓		Oil sampling valves, Cat XT™ hoses	✓	
Implement joystick (2V, 3V only)		✓	Quick coupler control		✓
Seat belt, monitored	✓		POWERTRAIN		
Entertainment radio (FM, AM, USB, BT)		✓	Cat C13 engine	✓	
Entertainment radio (DAB+)		✓	Electric fuel priming pump	✓	
CB radio ready		✓	Fuel-water separator and secondary fuel filter	✓	
Seat, cloth, air suspension	✓		Engine, air precleaner	✓	
Seat, suede/cloth, air suspension, heated		✓	Turbine, air precleaner		✓
Seat, leather/cloth, air suspension, heated/cooled		✓	Radiator, high debris		✓
Touchscreen display	✓		Cooling fan, reversible		✓
Keypad, programmable buttons	✓		Axles, open differentials	✓	
Mirrors, heated		✓	Axles, limited slip differential(s)		✓
Air conditioner, heater, defroster (auto temp, fan)	✓		Axles, ecology drains, AOC ready	✓	
Sun visor, front, retractable	✓		Axles, extreme temperature seals		✓
Sun visor, rear, retractable	✓		Axles, oil cooler		✓
Windows, front, safety laminated rounded glass	✓		Transmission, planetary, automatic powershift	✓	
Windows, front, heavy-duty, or full guards		✓	Torque converter with lock-up	✓	
ON-BOARD TECHNOLOGIES			Service brakes, hydraulic, fully enclosed wet disc, wear indicators	✓	
Autodig with Auto Set Tires	✓		Integrated Braking System (IBS)	✓	
Operator ID & machine security	✓		Park brake, caliper on front axles, spring applied-pressure released	✓	
Application Profiles	✓		Brake pedal neutralizer with decel function	✓	
Job Aids	✓		ELECTRICAL		
Controls Help and eOMM*	✓		Starting and charging system, 24V	✓	
Cat Payload scale	✓		Starter, electric, heavy-duty	✓	
Cat Advanced Payload		✓	Cold start, 120V or 240V		✓
Cat Payload Printer with E-ticket		✓	Lights: halogen, 4 work lights, 2 front roading lights with turn signals, 2 rearview lights	✓	
Key Features Inform	✓		Lights: LED		✓
Bucket Carry Display Widget	✓				
Remote Flash	✓				

(continued on next page)

* Not available in all languages

** Standard where mandated

*** Not Compatible with roading arrangements

982 Wheel Loader Specifications

Standard and Optional Equipment *(continued)*

Standard and optional equipment may vary. Consult your Cat dealer for details.

	Standard	Optional		Standard	Optional
MONITORING SYSTEM			SAFETY		
Front dash with analog gauges, LCD display, and warning lights	✓		Cat Detect rear radar system		✓
Primary touchscreen monitor (Cat Payload, quad screens, machine settings & messages)	✓		Dedicated rearview screen		✓
Tire Pressure Monitor		✓	Visibility: mirrors, rearview camera	✓	
Maintenance Reminders	✓		Multiview (360°) vision system		✓
LINKAGE			Window cleaning platform, front	✓	
Standard lift, Z-bar	✓		4-Point seat belt retractor		✓
High lift, Z-bar		✓	Secondary steering system, electrical**		✓
Kickouts: lift and tilt	✓		Wheel chocks		✓
ADDITIONAL EQUIPMENT			Warning beacon		✓
Cat Autolube system		✓	Seat belt monitoring beacon		✓
Fenders, roading		✓	Reversing strobe lights***		✓
Guards: powertrain, crankcase, cab, cylinders, rear		✓	SPECIAL CONFIGURATIONS		
Biodegradable hydraulic oil		✓	Aggregate handler		✓
High-speed oil change system		✓	Waste and scrap		✓
Rear cab access		✓	Forestry		✓
Fast fill fuel tank		✓			
Toolbox		✓			

* Not available in all languages

** Standard where mandated

*** Not Compatible with roading arrangements

982 Environmental Declaration

The following information applies to the machine at the time of final manufacture as configured for sale in the regions covered in this document. The content of this declaration is valid as of the date issued; however, content related to machine features and specifications are subject to change without notice. For additional information, please see the machine's Operation and Maintenance Manual.

For more information on sustainability in action and our progress, please visit <https://www.caterpillar.com/en/company/sustainability.html>.

Engine

- The Cat® C13 engine meets U.S. EPA Tier 4 Final, EU Stage V, Korea Stage V, China Nonroad Stage IV and Japan 2014 emission standards.
- Cat diesel engines are required to use ULSD (ultra-low sulfur diesel fuel with 15 ppm of sulfur or less) or ULSD blended with the following lower-carbon intensity fuels** up to:
 - ✓ 20% biodiesel FAME (fatty acid methyl ester)*
 - ✓ 100% renewable diesel, HVO (hydrotreated vegetable oil) and GTL (gas-to-liquid) fuels
 Refer to guidelines for successful application. Please consult your Cat dealer or "Caterpillar Machine Fluids Recommendations" (SEBU6250) for details.
- * Engines with no aftertreatment devices can use higher blends, up to 100% biodiesel.
- ** Tailpipe greenhouse gas emissions from lower-carbon intensity fuels are essentially the same as traditional fuels.

Air Conditioning System

The air conditioning system on this machine contains the fluorinated greenhouse gas refrigerant R134a (Global Warming Potential = 1430). The system contains 1.6 kg (3.52 lb) of refrigerant, which has a CO₂ equivalent of 2.288 metric tonnes (2.522 tons).

Paint

- Based on best available knowledge, the maximum allowable concentration, measured in parts per million (PPM), of the following heavy metals in paint are:
 - Barium < 0.01%
 - Cadmium < 0.01%
 - Chromium < 0.01%
 - Lead < 0.01%

Sound Performance

Operator Sound Pressure Level (ISO 6396:2008)	72 dB(A)
Exterior Sound Power Level (ISO 6395:2008)	112 dB(A)
Operator Sound Pressure Level (ISO 6396:2008)*	72 dB(A)
Exterior Sound Power Level (ISO 6395:2008)**	109 dB(A)

*Including countries that adopt the EU and UK Directives
 **EU Noise Directive 2000/14/EC and UK Noise Regulation 2001 No. 1701

Oils and Fluids

- Caterpillar factory fills with ethylene glycol coolants. Cat Diesel Engine Antifreeze/Coolant (DEAC) and Cat Extended Life Coolant (ELC) can be recycled. Consult your Cat dealer for more information.
- Cat Bio HYDO™ Advanced is an EU Ecolabel approved biodegradable hydraulic oil.
- Additional fluids are likely to be present, please consult the Operations and Maintenance Manual or the Application and Installation guide for complete fluid recommendations and maintenance intervals.

Features and Technology

- The following features and technology may contribute to fuel savings and/or carbon reduction. Features may vary. Consult your Cat dealer for details.
 - Autodig with Auto Set Tires provides consistent high bucket fill factors for up to 10% more productivity
 - Powershift transmission with lock-up clutch increases fuel efficiency while delivering optimal performance
 - Automatic engine idle shutdown system reduces idle hours
 - Extended maintenance intervals reduce fluid and filter consumption
 - Remote Flash and Remote Troubleshoot

Recycling

- The materials included in machines are categorized as below with approximate weight percentage. Because of variations of product configurations, the following values in the table may vary.

Material Type	Weight Percentage
Steel	64.89%
Iron	18.08%
Nonferrous Metal	1.88%
Mixed Metal	0.33%
Mixed-Metal and Nonmetal	0.39%
Plastic	0.82%
Rubber	8.41%
Mixed Nonmetallic	0.01%
Fluid	1.14%
Other	3.05%
Uncategorized	0.99%
Total	100%

- A machine with higher recyclability rate will ensure more efficient usage of valuable natural resources and enhance End-of-Life value of the product. According to ISO 16714 (Earthmoving machinery – Recyclability and recoverability – Terminology and calculation method), recyclability rate is defined as percentage by mass (mass fraction in percent) of the new machine potentially able to be recycled, reused, or both.

All parts in the bill of material are first evaluated by component type based on a list of components defined by the ISO 16714 and Japan CEMA (Construction Equipment Manufacturers Association) standards. Remaining parts are further evaluated for recyclability based on material type.

Because of variations of product configurations, the following value in the table may vary.

Recyclability – 98%



982

Forestry Machine

Millyard applications demand the additional performance, productivity, and safety that Cat Forestry Wheel Loaders deliver.

Proven Reliability

- Cat C13 engine offers high power density with a combination of proven electronics, fuel, and air systems.
- Thorough component design and machine validation processes result in unmatched reliability and uptime.

Durability

- Purpose-built heavy-duty frames, transmission, axles, and final drives assure long service life.
- Full-flow hydraulic filtration system with additional kidney-loop filtration improves hydraulic system reliability and component life.

Superior Fuel Efficiency & Productivity

- Forestry package includes additional counterweight, purpose-built rear frame, and larger tilt cylinders for increased load control over the base model.
- Optional variable pitch fan and high debris coolers minimize the potential for overheating and reduce downtime for radiator clean out in high debris applications.
- Optional 3rd valve auxiliary hydraulics to control work tools requiring the additional function.
- Increased engine power resulting in improved machine performance and response.
- Powershift transmission with lock-up clutch increases fuel efficiency while delivering optimal performance.
- Single clutch and lock-to-lock shifting for faster acceleration and speed on grades.
- Optional limited slip differentials increase traction and reduce tire slip, lowering operating costs.
- Deeply integrated engine, powertrain, and hydraulic systems deliver unmatched productivity and fuel efficiency.

Safety Features

- Rearview camera enhances visibility behind the machine, helping you work safely and confidently.
- Optional multiview (360°) vision system helps the operator monitor the surroundings of the machine at all times.
- Optional Cat Detect radar technology enhances awareness by monitoring the working environment and alerts operators to hazards.
- Cab access with wide door, optional remote door opening, and stair-like steps add solid stability.
- Floor-to-ceiling windshield, large mirrors with integrated spot mirrors, and rearview camera provide industry leading all-around visibility.
- Optional access light and under-hood service light system to provide illuminated access to the machine and daily checks even in the dark.

Reduced Maintenance Time and Costs

- Extended fluid and filter change intervals reduce maintenance costs by up to 20%.
- Remote Troubleshoot can connect the machine to the dealer service department to help diagnose problems quickly so you can get back to work.
- Remote Flash works around your schedule to ensure your machine's software is up to date for optimal performance.
- The Cat App helps you manage fleet location, hours, and maintenance schedules; it also alerts you for required maintenance and allows you to request service from your local Cat dealer.
- Integrated Autolube extends component and service life.
- One-piece tilting hood makes engine compartment access fast and easy.

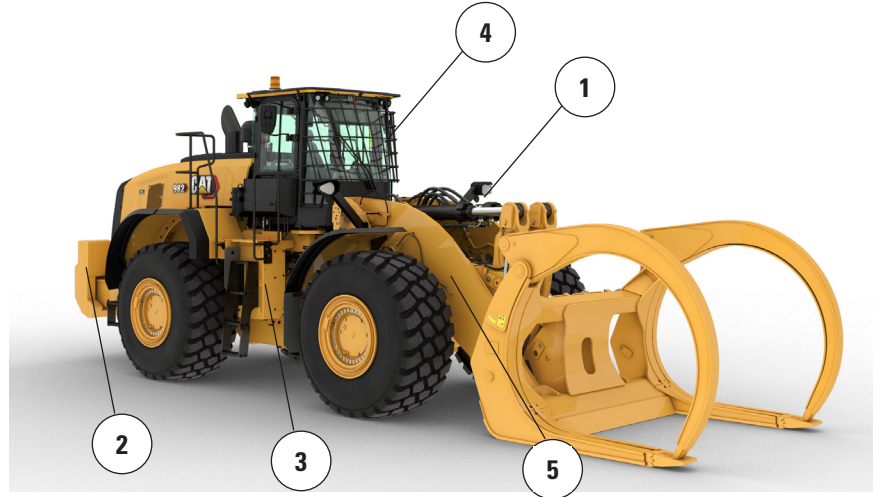
Work in Comfort in the All New Cab

- Next-generation, easily adjustable seat and suspension for improved operator comfort. It comes in three trim levels and can be equipped with a 4-point harness.
- New in-cab dashboard and high-resolution touch display(s) are easy to use, intuitive, and user friendly.
- Sound suppression, seals, and viscous cab mounts decrease noise and vibration for a quieter work environment.

982 Forestry Machine Specifications

982 Forestry Machine Features

1. Larger tilt cylinders over the standard package for increased load control in fork applications
2. Additional counterweight over the aggregate package provides increased tipping loads in a millyard application
3. Purpose-built reinforced rear frame designed for durability
4. Optional window guarding to provide impact resistance to the glass
5. Optional 3rd function hydraulics provide auxiliary hydraulic control for work tools like millyard or logging forks



6. Optional variable pitch fan help to keep rear grill and cooling cores clean in high debris applications
7. Optional high debris/wide fin spacing cooling cores are less prone to plugging
8. Optional axle oil cooler provides lower axle oil temperatures in high braking applications
9. Optional engine and cab precleaners for use in high debris applications

Tire Options

Tire Brand	Maxam	Goodyear
Tire Size	875/65R29	875/65R29
Tread Type	L-4	L-4
Tread Pattern	MS405DX	GP-4D
Width over Tires – Maximum (empty)*	3474 mm 11'5"	3484 mm 11'6"
Width over Tires – Maximum (loaded)*	3486 mm 11'6"	3499 mm 11'6"
Change in Vertical Dimensions (average of front and rear)		27 mm 1.6"
Change in Horizontal Reach		-6 mm -0.2"
Change in Clearance Circle to Outside of Tires		13 mm 0.5"
Change in Clearance Circle to Inside of Tires		-13 mm -0.5"
Change in Operating Weight (without Ballast)		552 kg 1,217 lb
Change in Static Tipping Load – Straight		366 kg 806 lb
Change in Static Tipping Load – Articulated		320 kg 705 lb
Rear Axle Oscillation Angle	±13 degrees	±13 degrees
Maximum Single-wheel Rise and Fall	571 mm 1'10"	571 mm 1'10"

*Width over tire bulge and includes tire growth.

982 Forestry Machine Specifications

Operating Specifications – Buckets

Linkage		Standard Linkage	
Bucket Type		Woodchip	
Edge Type		Bolt-On Cutting Edges	Bolt-On Cutting Edges
Capacity – Rated	m ³	12.00	17.20
	yd ³	15.75	22.50
Capacity – Rated at 110% Fill Factor	m ³	13.20	18.90
	yd ³	17.25	24.75
Width	mm	4174	4434
	ft/in	13'8"	14'6"
16 † Dump Clearance at Maximum Lift and 45° Discharge	mm	3002	2720
	ft/in	9'10"	8'11"
17 † Reach at Maximum Lift and 45° Discharge	mm	1738	2027
	ft/in	5'8"	6'7"
Reach at Level Lift Arm and Bucket Level	mm	3638	4042
	ft/in	11'11"	13'3"
A † Digging Depth	mm	139	134
	in	5.4"	5.2"
12 † Overall Length	mm	10 588	10 989
	ft/in	34'9"	36'1"
B † Overall Height with Bucket at Maximum Lift	mm	7038	7454
	ft/in	23'2"	24'6"
Loader Clearance Circle Radius with Bucket at Carry Position	mm	8258	8500
	ft/in	27'2"	27'11"
Static Tipping Load, Straight (With tire deflection)	kg	29 939	28 289
	lb	65,986	62,349
Static Tipping Load, Straight (No tire deflection)	kg	31 840	30 224
	lb	70,177	66,614
Static Tipping Load, Articulated (With tire deflection)	kg	25 133	23 584
	lb	55,393	51,981
Static Tipping Load, Articulated (No tire deflection)	kg	27 064	25 550
	lb	59,650	56,313
Breakout Force (§)	kN	279	226
	lbf	62,876	50,794
Operating Weight*	kg	39 620	40 390
	lb	87,322	89,019

* Static tipping loads and operating weights shown are based on a machine configuration with Maxam 875/65R29 MS405 *** L4 radial tires, full fluids, operator, logger counterweight, logger linkage, ride control, cold start, roading fenders, Product Link, open/open differentials, powertrain guard, secondary steering and sound suppression.

† Illustration shown with Dimension charts.

(§) Measured 100 mm (4") behind tip of cutting edge with bucket hinge pin as pivot point in accordance with ISO 14397-2:2007.

(With tire deflection) Full compliance to ISO 14397-1:2007 Sections 1 thru 6, which requires 2% verification between calculations and testing.

(No tire deflection) Compliance to ISO 14397-1:2007 Sections 1 thru 5.

Other buckets are available and offerings vary by region. Consult your local Cat dealer for further details.



オフロード法2014年
基準適合

For more complete information on Cat products, dealer services, and industry solutions, visit us on the web at www.cat.com.

Materials and specifications are subject to change without notice. Featured machines in photos may include additional equipment. See your Cat dealer for available options.

© 2024 Caterpillar. All Rights Reserved. CAT, CATERPILLAR, LET'S DO THE WORK, their respective logos, Product Link, XT, "Caterpillar Corporate Yellow", the "Power Edge" and Cat "Modern Hex" trade dress as well as corporate and product identity used herein, are trademarks of Caterpillar and may not be used without permission.

AEXQ3865-00 (5-2024)
Build Number: 14B
(N Am, Europe, Japan,
China, India, Korea, Turkey,
Chile, Colombia)

